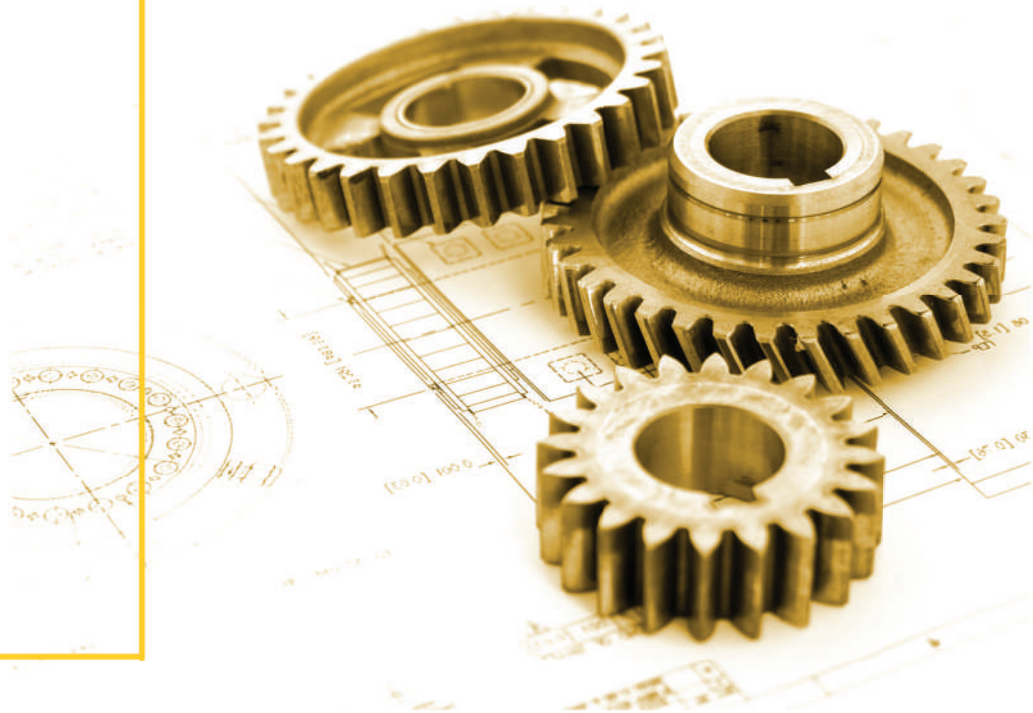


SAFETY IS ULTIMATE



MAS INDUSTRIES PVT. LTD.

www.masind.net

INTRODUCTION



Forging Ahead...

When it comes to engineering, precision is imminent for better function. Whatever that is envisioned can materialise well and stand the test of time only if technical standards are high. At 'MAS Industries' this was imbibed at its very onset. No compromise, no subversion! This vision set us on a mission to generate high quality engineering products matching world standards and at competitive rates as well. Consistency in this policy over the years has fetched us a worthy reputation amongst our esteemed clientele the world over. Over a decade, 'MAS Industries' has been catering to the growing need of engineering products in the International Market. Manufacturing according to the En81-82 Norms, we strive to provide our clients with products consistently good in quality and at best price too. Products such as graded high tensile fasteners, sheet metal components, rubber & plastic moulded accessories, castings, forgings, etc., all these in a wide range only to ensure appropriate supply to the customers across the globe. Besides creating a strong base in the domestic market, 'MAS Industries' has also established itself in the Middle East & African countries. We export to Kuwait, Saudi Arabia, Egypt, Syria, Lebanon, Jordan, Turkey, UAE, Qatar, Saltanat of Oman (Mascot), Jordan, Australia, UK, Germany, Slovenia, Czechoslovakia, Spain, Italy, Morocco, Srilanka, Bangladesh... and many more destinations are on the anvil. Having a presence in Europe for almost a decade, now America in particular is not too far either. Our commitment to quality produce and customer need has propelled us in being the second largest suppliers of these products in India after the MNCs. We are the first and only Indian, CE Certified Company, from EU Commissions Nominated Body, for elevator safety components. Though for us, customer preference and their trust has always been the best reward ever earned so far. This appreciation further strengthens our commitment towards them in supplying 'Quality Products at Competitive Price'. A pledge taken long ago and still practiced today.

SAFETY IS ULTIMATE





I **Safety Components** **Page 1 - 10**

- I Over Speed Governor Dia.300 - EOSG
- I Over Speed Governor Dia. 200 - EOSG-S
- I Over Speed Governor Dia. 200 A3 Compliant - EOSG GL
- I Rope Tensioner - ERT, ERT SM
- I Instantaneous Double Roller Safety Gear ESG 1S, ESG 1B
- I Instantaneous Single Roller Safety Gear ESG 4, ESG 8
- I Progressive Safety Gear ESG P, ESG 5
- I Double Action Safety Gear ESG 3,
- I Instantaneous Double Roller Safety Gear ESG 6
- I Safety Gear Mechanism ESG M1, ESG M2, ESG M3

I **Car Frame Components** **Page 11 - 26**

- I Rope Anchorage ERA W1 - ERA W5
- I Rope Anchorage ERA SM1 - ERA SM3
- I Rope Eye ERE 1 - ERE 6
- I Bulldog Clip EBC 1 - EBC 5
- I Guide Shoe EGS1, EGS 1R
- I Guide Shoe EGS 2, EGS 2A
- I Guide Shoe EGS A1, EGS A1L
- I Guide Shoe EGS 5, EGS 6
- I Guide Shoe EGS 4, EGS 7
- I Guide Shoe EGS 3, EGS 8
- I Guide Shoe EGS 10, EGS11, EGS CN, EGS NY, EGS NG
- I Oiler EOF1 - EOF3
- I Oil Collector EOC





■	Diverter Pulley For Hydraulic Car Frame	
■	Diverter Pulleys For Traction Car Frame	
■	Diverter Pulley For Machine Rope	
■	Pulley Accessories	
■	Cable Hanger	Page 27 - 30
■	Cable Hanger ECHP PY1 - ECHP PY3	
■	Cable Hanger ECHP 1 , ECHP 3, ECHP 4	
■	Cable Hanger ECHP 2, ECHP 7	
■	Buffers	Page 31-32
■	Spring Buffer	
■	Hydraulic Buffer	
■	PU Buffer	
■	Double Action Rubber Buffer	
■	Isolators	Page 33 - 34
■	Platform Rubber	
■	Steadier Rubber	
■	Machine Base Rubber	
■	Brackets & Accessories	Page 35 - 40
■	Elevator Brackets	
■	Elevator Brackets	
■	Elevator Brackets	
■	Combination Brackets	
■	Forged Rail Clip ERC 10 - ERC 18	
■	Sheetmetal Rail Clip ESRC 1, ESRC 2	
■	Autodoor Accessories	Page41
■	Manual Door Accessories	Page42
■	Certificates	Page43



**YOUR SAFETY
OUR PRIORITY
MAKE YOUR LIFT A3 COMPLIANT**

SAFETY COMPONENTS

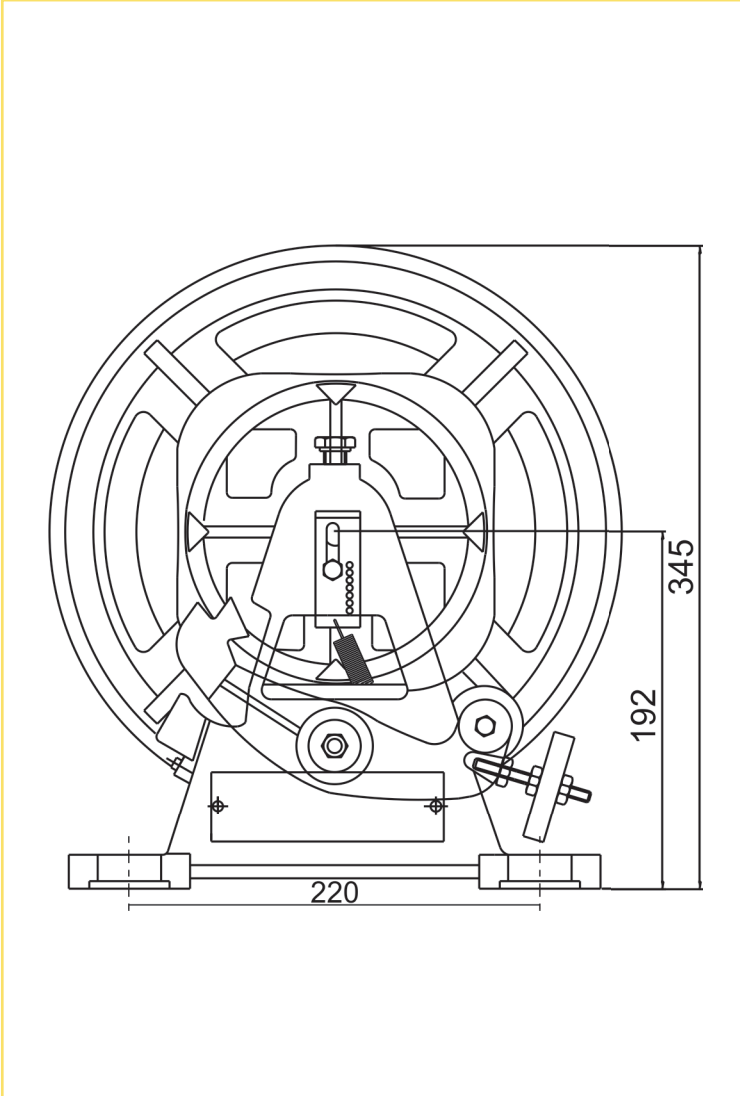


- **BI-DIRECTIONAL OVERSPEED GOVERNOR**
- **ROPE TENSIONER**
- **INSTANTANEOUS SAFETY GEAR**
- **PROGRESSIVE SAFETY GEAR**
- **BI-DIRECTIONAL SAFETY GEAR**



OVER SPEED GOVERNOR (Ø300) WITH SWITCH

CODE - EOSG



- Sheave Dia. - 300mm
- Rope Dia. - 6-8mm
- Action - Bi-directional

AS PER EN NORMS

Code	Nominal speed max m/s	Electrical tripping speed m/s	Mechanical tripping speed m/s
EOSG 1	0.50	0.58	0.63
EOSG 2	0.63	0.72	0.79
EOSG 3	0.82	0.94	1.03
EOSG 4	1.00	1.15	1.25
EOSG 5	1.20	1.38	1.50
EOSG 6	1.50	1.73	1.88
EOSG 7	1.60	1.84	2.00
EOSG 8	1.80	2.07	2.25
EOSG 9	2.00	2.30	2.50

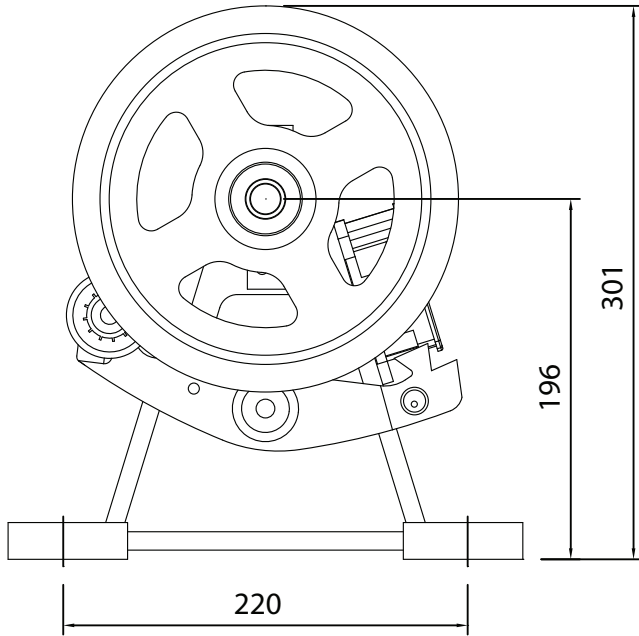


AS PER IS NORMS

Code	Nominal speed max. m/s	Electrical tripping speed m/s	Mechanical tripping speed m/s
EOSG 1_IS	0.50	0.63	0.70
EOSG 2_IS	0.63	0.79	0.88
EOSG 3_IS	0.82	1.03	1.15
EOSG 4_IS	1.00	1.25	1.40
EOSG 5_IS	1.20	1.50	1.68
EOSG 6_IS	1.50	1.88	2.10
EOSG 7_IS	1.60	2.00	2.24
EOSG 8_IS	1.80	2.25	2.52
EOSG 9_IS	2.00	2.50	2.80

OVER SPEED GOVERNOR (Ø200) WITH SWITCH

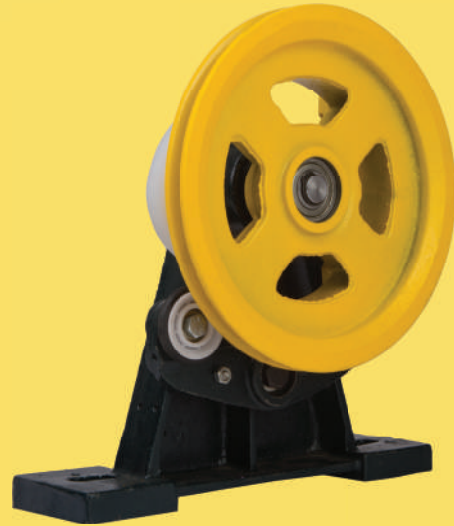
CODE - EOSG S



- Sheave Dia. - 200mm
- Rope Dia. - 6-8mm
- Action - Bi-directional
- Available with Solenoid coil for MRL application



CE Certified
CE
 2729



AS PER EN NORMS

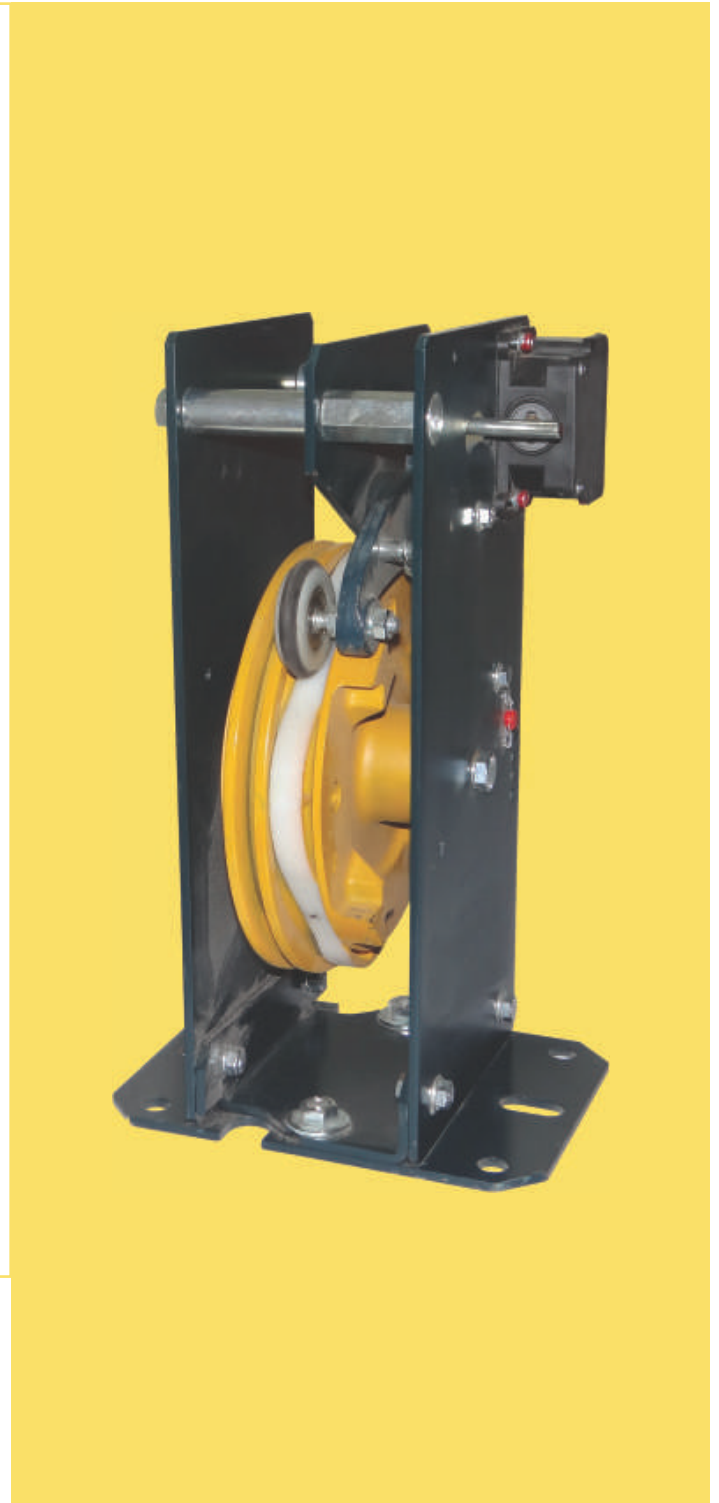
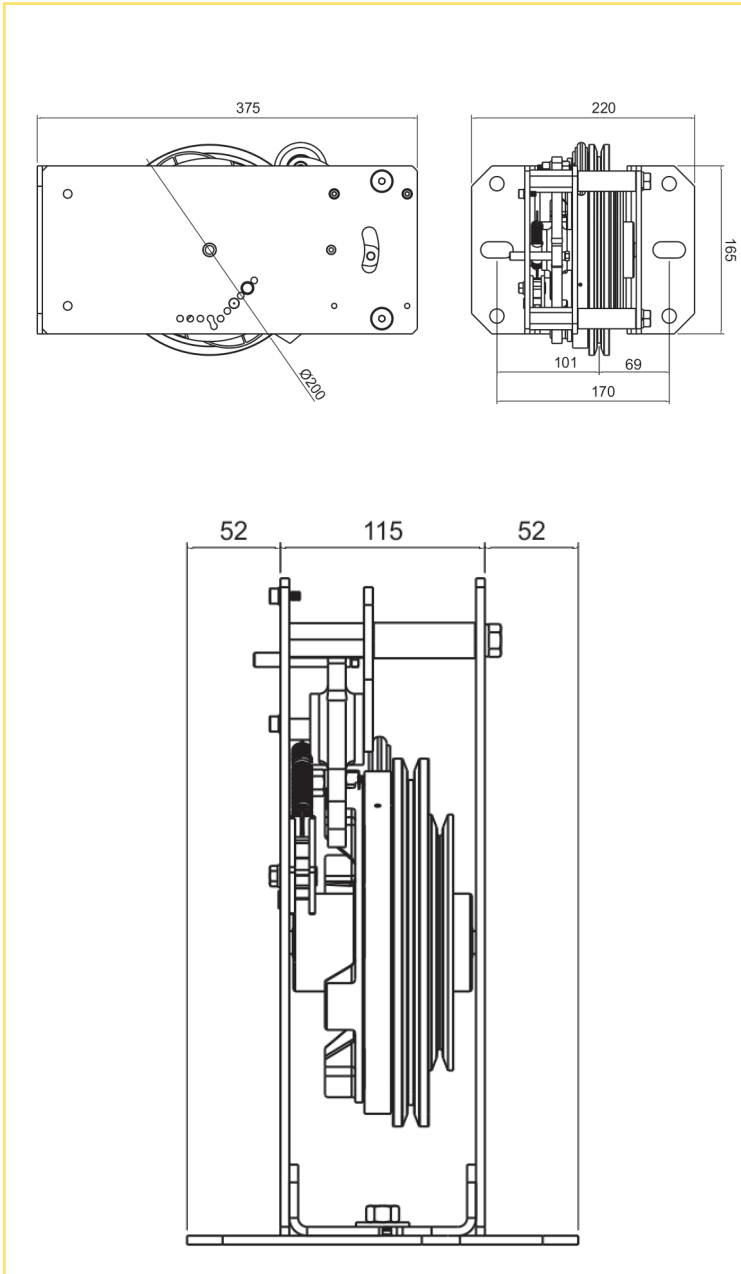
Code	Nominal speed max m/s	Electrical tripping speed m/s	Mechanical tripping speed m/s
EOSGS 1	0.30	0.35	0.38
EOSGS 2	0.43	0.49	0.54
EOSGS 3	0.63	0.72	0.79
EOSGS 4	0.80	0.92	1.00
EOSGS 5	1.00	1.15	1.25

AS PER IS NORMS

Code	Nominal speed max m/s	Electrical tripping speed m/s	Mechanical tripping speed m/s
EOSGS 1_IS	0.30	0.38	0.42
EOSGS 2_IS	0.43	0.54	0.60
EOSGS 3_IS	0.63	0.79	0.88
EOSGS 4_IS	0.80	1.00	1.12
EOSGS 5_IS	1.00	1.25	1.40

OVER SPEED GOVERNOR (Ø200) A3 COMPLIANT

CODE - EOSG GL



- Sheave Dia. - 200mm
- Rope Dia. - 6-8mm
- Action - Bi-directional
- A3 Norm Compliant to avoid unintended car movement

AS PER EN NORMS

Code	Nominal speed max m/s	Electrical tripping speed m/s	Mechanical tripping speed m/s
EOSG GL1	1.00	1.15	1.25
EOSG GL2	1.20	1.38	1.50
EOSG GL3	1.50	1.73	1.88

AS PER IS NORMS

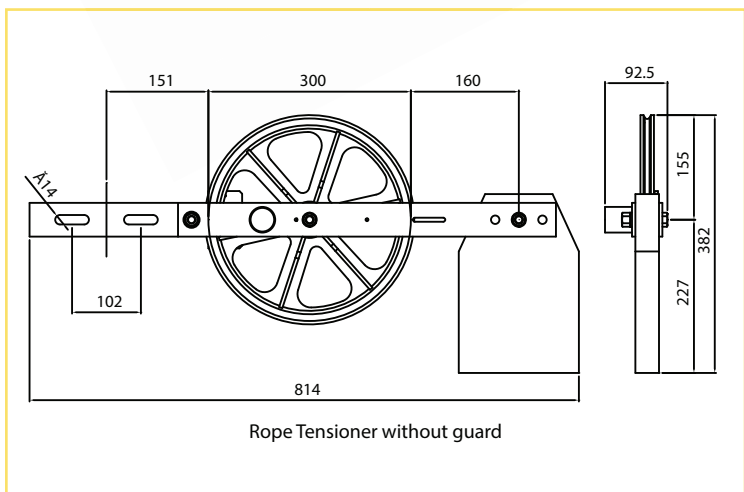
Code	Nominal speed max m/s	Electrical tripping speed m/s	Mechanical tripping speed m/s
EOSG GL1_IS	1.00	1.25	1.40
EOSG GL2_IS	1.20	1.50	1.68
EOSG GL3_IS	1.50	1.88	2.10

ROPE TENSIONER



CODE - ERT

- Pulley Dia. - 300mm/200mm
- Rope Dia. - 6-8mm
- Available with switch to control rope stretch



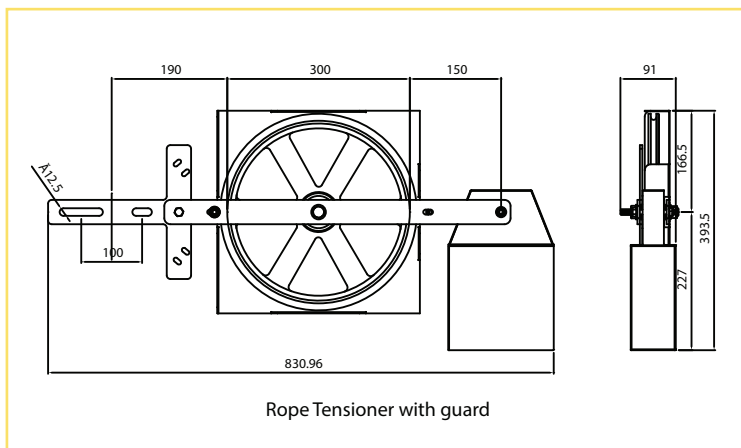
Code	Type of Wt.	Dead Wt. (Kgs.)
ERT 300_C10	Casting	10 Kgs
ERT300_C20	Casting	20 Kgs
ERT300_F10	Filler	10 Kgs
ERT300_F15	Filler	15 Kgs
ERT 200_C10	Casting	10 Kgs
ERT200_C20	Casting	20 Kgs
ERT200_F10	Filler	10 Kgs
ERT200_F15	Filler	15 Kgs

CODE - ERTSM

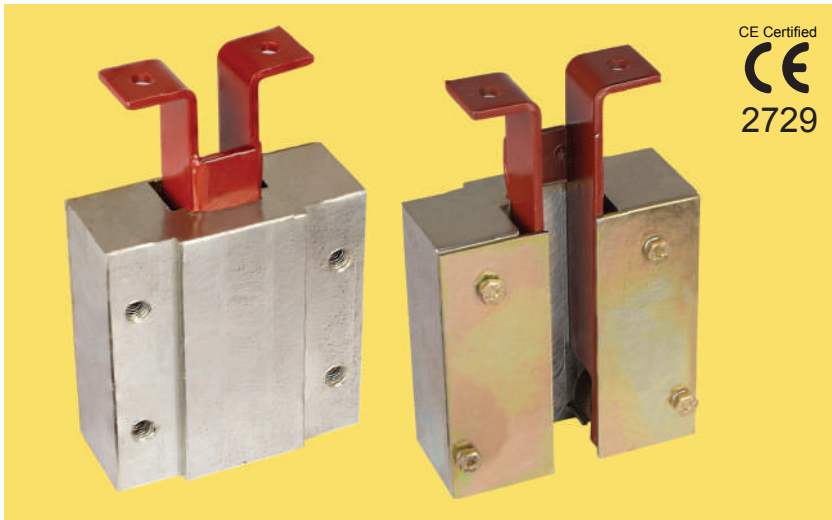
- Pulley Dia. - 300mm/200mm
- Rope Dia. - 6-8mm
- With Rope Guard
- Available with switch to control rope stretch



Code	Type of Wt.	Dead Wt. (Kgs.)
ERTSM300_C10	Casting	10 Kgs
ERTSM300_C20	Casting	20 Kgs
ERTSM300_F10	Filler	10 Kgs
ERTSM300_F15	Filler	15 Kgs
ERTSM200_C10	Casting	10 Kgs
ERTSM200_C20	Casting	20 Kgs
ERTSM200_F10	Filler	10 Kgs
ERTSM200_F15	Filler	15 Kgs



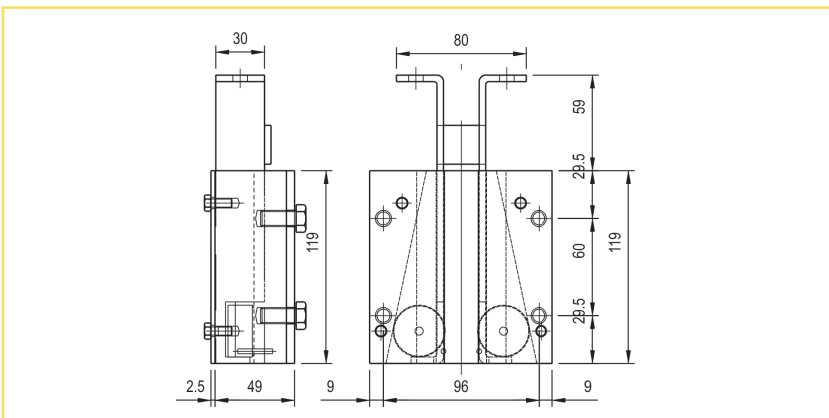
DOUBLE ROLLER INSTANTANEOUS SAFETY GEAR



CE Certified
2729

CODE - ESG - 1B

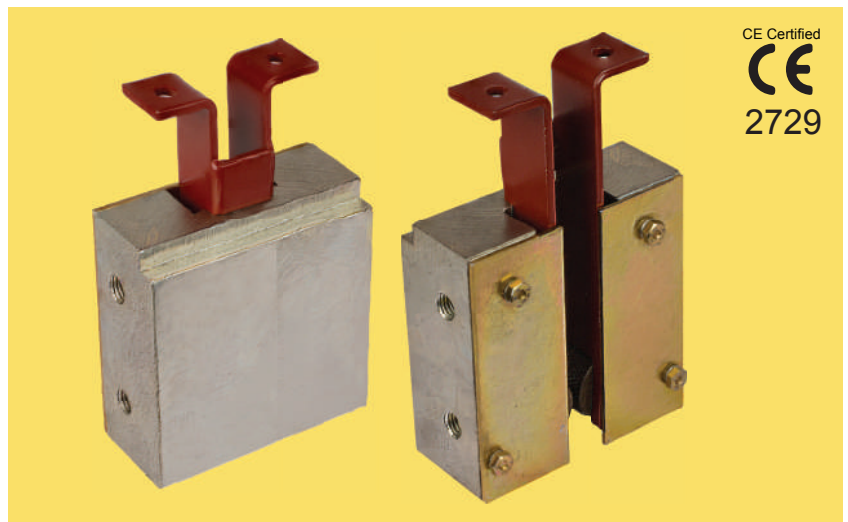
- Action - Instantaneous
- For Capacity - Upto 1 Tonne
- For Speed - Upto 1.0 m/s
- For Rail Size - 9mm, 10mm, 16mm



CODE	TYPE	RAILS	MAX NORMAL SPEED
ESG 1B	sp50	6 to 16 mm	0.60 m/s
TRIPPING SPEED	HOLES	MASS KG	MATERIAL
1 m/s	REAR M10	4.0	C 40
MAX LOAD ON TWO DEVICES AT DIFFERENT RELEASE SPEED		0.60 m/s	3128 kgs
		0.80 m/s	2853 kgs

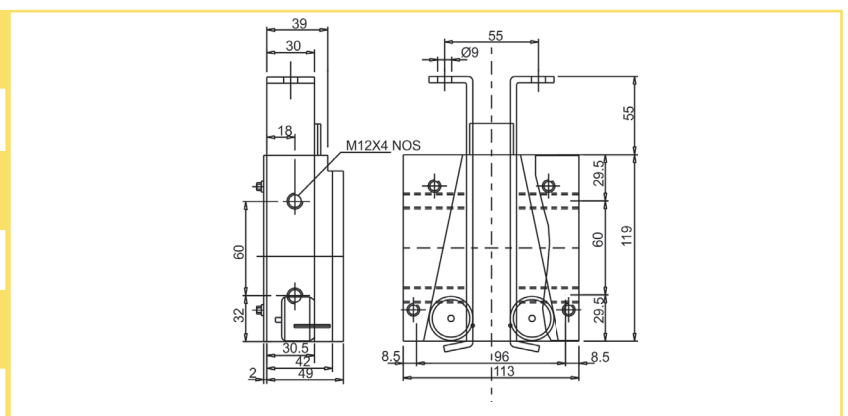
CODE - ESG - 1S

- Action - Instantaneous
- For Capacity - Upto 1 Tonne
- For Speed - Upto 1.0 m/s
- For Rail Size - 9, 10, 16mm



CE Certified
2729

CODE	TYPE	RAILS	MAX NORMAL SPEED
ESG 1S	sp50	6 to 16 mm	0.60 m/s
TRIPPING SPEED	HOLES	MASS KG	MATERIAL
1 m/s	SIDE M12	4,0	C 40
MAX LOAD ON TWO DEVICES AT DIFFERENT RELEASE SPEED		0.60 m/s	3128 kgs
		0.80 m/s	2853 kgs

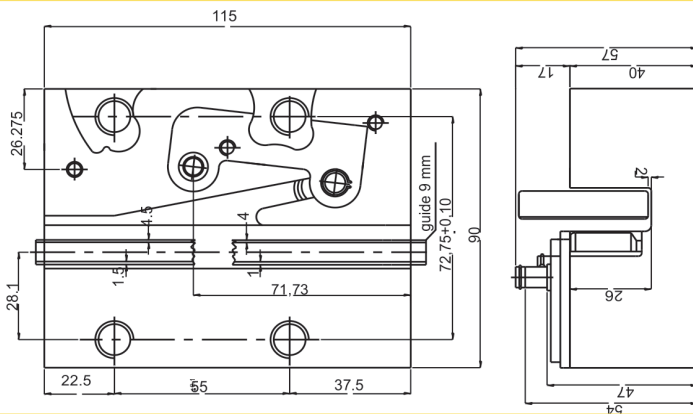
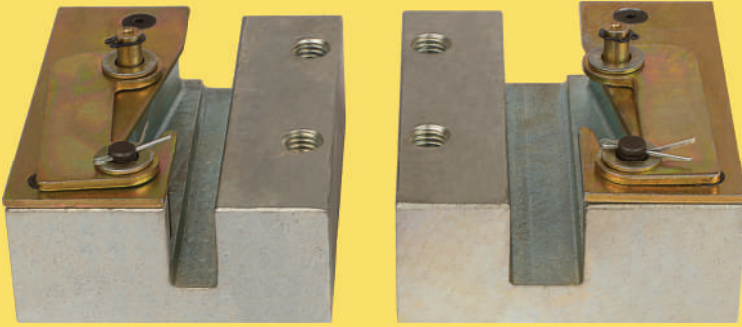


SINGLE ROLLER INSTANTANEOUS SAFETY GEAR

CE Certified
CE
 2729

CODE - ESG - 4

Action - Instantaneous
 For Capacity - Upto 8 Passenger
 For Speed - Upto 1.0 m/s
 For Rail Size - 9mm, 10mm, 16mm



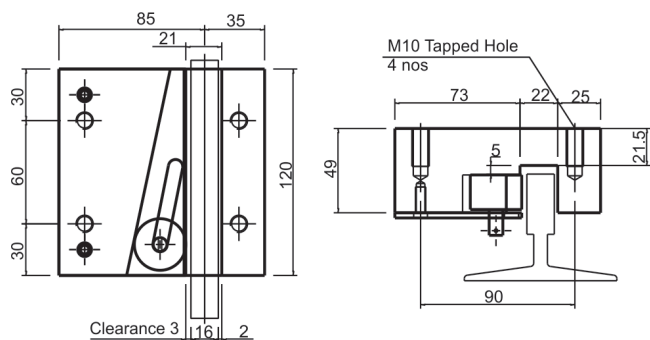
CODE	RAILS	MAX NORMAL SPEED	MAX GOVERNER INTERVENTION SPEED
ESG 4	8 & 9/16 mm	0.6m/s - 1m/s	1.0m/s - 1.10m/s
HOLES	MATERIAL	GUIDE RAIL PROCESSING	
REAR M10	C 5	OILED / DRY	

CODE - ESG - 8

Action - Instantaneous
 For Capacity - Upto 8 Passenger
 For Speed - Upto 1.0 m/s
 For Rail Size - 9, 10, 16mm



CODE	RAILS	MAX NORMAL SPEED	TRIPPING SPEED
ESG 8	16 mm	0.5m/s - 1m/s	1 m/s
HOLES	MATERIAL	GUIDE RAIL PROCESSING	
REAR M10	C 5	OILED / DRY	



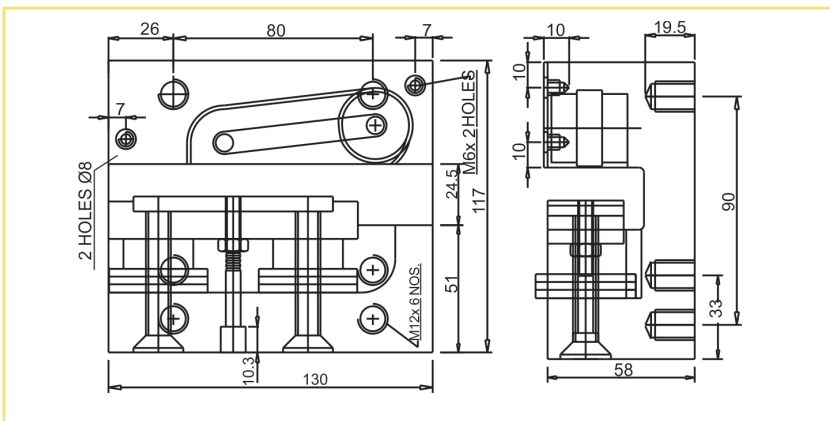
PROGRESSIVE SAFETY GEAR



CE Certified
2729

CODE - ESG - P

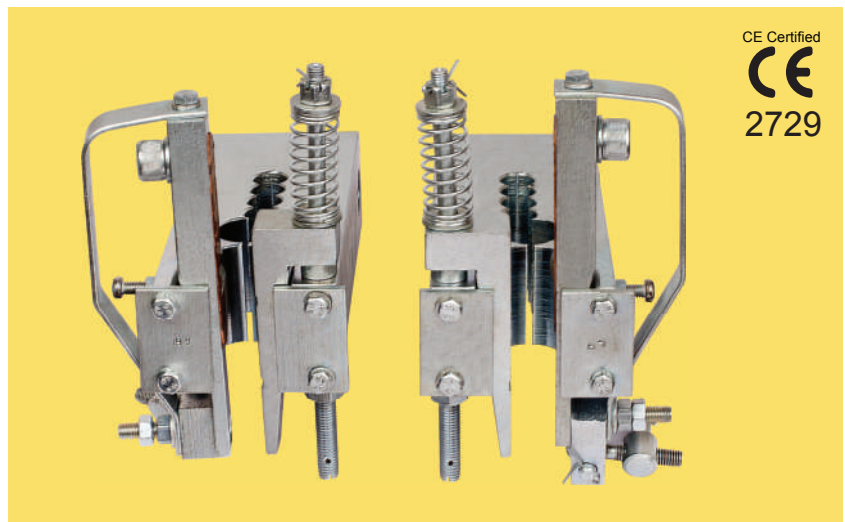
Action - Progressive
 For Capacity - Upto 2.5 Tonne
 For Speed - Upto 1.8 m/s
 For Rail Size - 9mm, 10mm, 16mm



CODE	TYPE	RAILS	MAX NORMAL SPEED
ESG P	92.01	8 TO 16 mm	1.80 m/s
MAX GOVERNER INTERVENTION SPEED		HOLES	MIN GRIP SURFACE
2.40 m/s		REAR M10	10 mm
MATERIAL		GUIDE RAIL PROCESSING	
C 40		COLD DRAWN / PLANED	

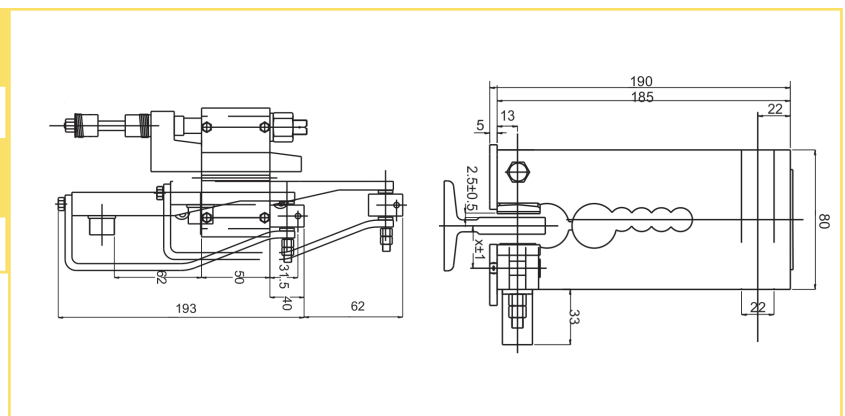
CODE - ESG - 5

Action - Progressive
 For Capacity - Upto 2.5 Tonne
 For Speed - Upto 1.8 m/s
 For Rail Size - 9, 10, 16mm



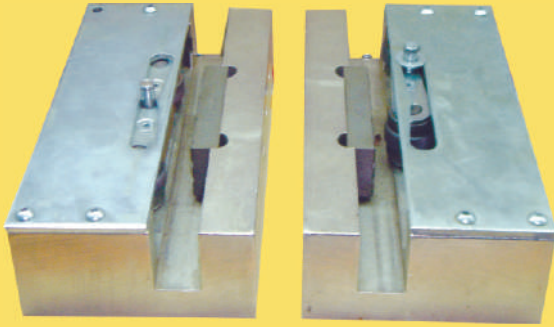
CE Certified
2729

CODE	RAILS	MAX NORMAL SPEED
ESG 5	8 - 9 - 10 & 16	0.63 - 2.5
MAX GOVERNER INTERVENTION SPEED		GUIDE RAIL PROCESSING
1.10 - 2.75		OILED / DRY



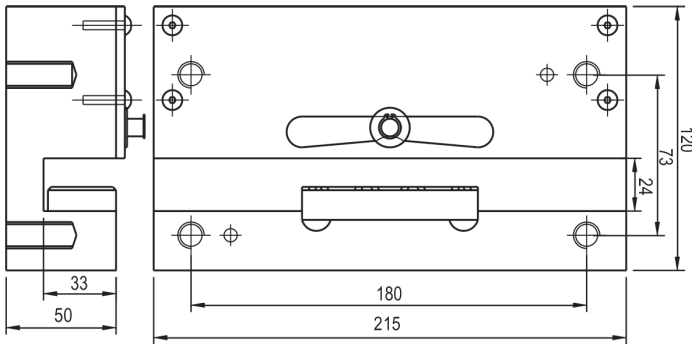
SAFETY GEAR

CE Certified
CE
 2729



CODE - ESG - 3

- Action - Progressive Double Action
 For Capacity - Upto 1 Tonne
 For Speed - Upto 2.0 m/s
 For Rail Size - 9mm, 10mm, 16mm

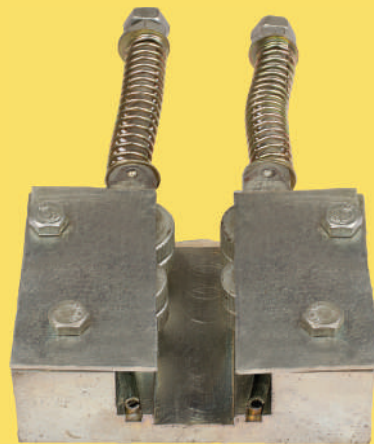


CODE	TYPE	RAILS	MAX NORMAL SPEED
ESG 3	92.01	8 TO 16 mm	2 m/s
MAX GOVERNOR INTERVENTION SPEED		HOLES	MIN GRIP SURFACE
2.5 m/s		REAR M10	8 TO 16 mm
MATERIAL		GUIDE RAIL PROCESSING	
C 40		COLD DRAWN / PLANED	

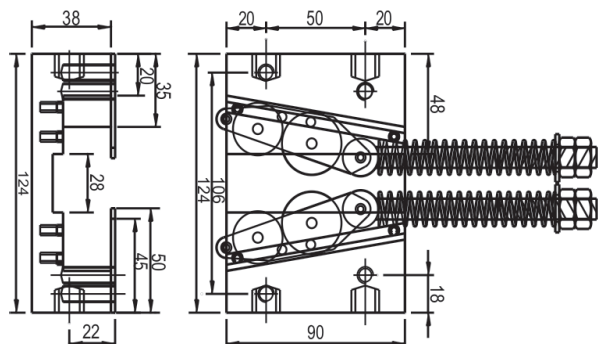
CODE - ESG - 6

- Action - Instantaneous
 For Capacity - Upto 1 Tonne
 For Speed - Upto 1.0 m/s
 For Rail Size - 9mm

CE Certified
CE
 2729

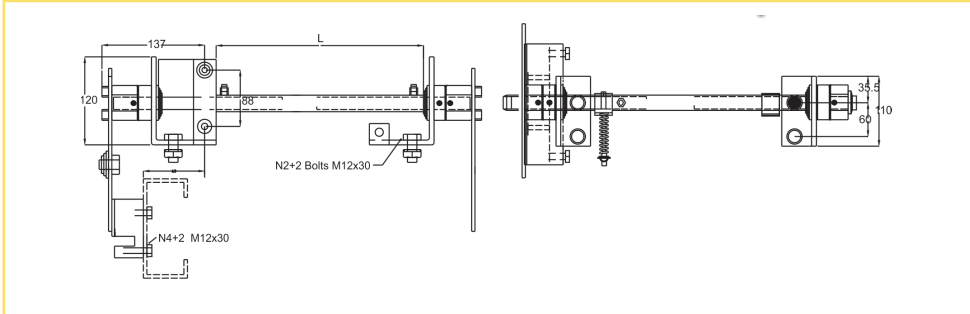


CODE	RAILS	MAX NORMAL SPEED
ESG 8	8 & 9 mm	0.63m/s - 1.10m/s
TRIPPING SPEED		MIN GRIP SURFACES
1m/s	SIDE M10	10 mm
MATERIAL		GUIDE RAIL PROCESSING
C 5	OILED / DRY	

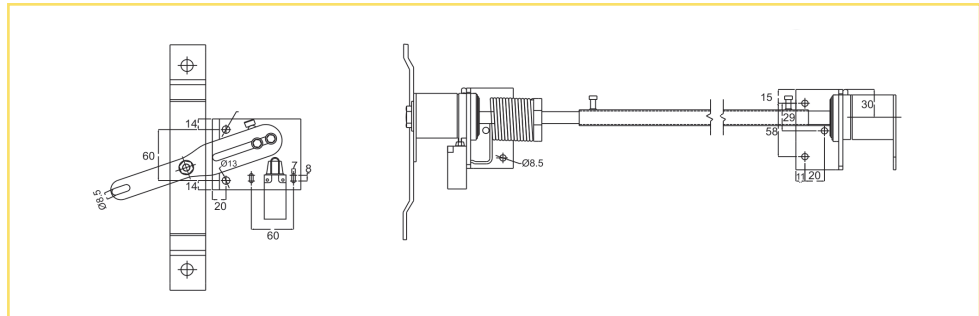


SAFETY MECHANISM

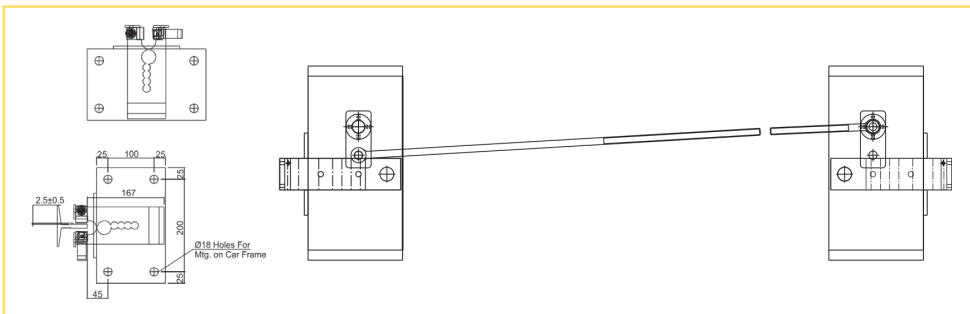
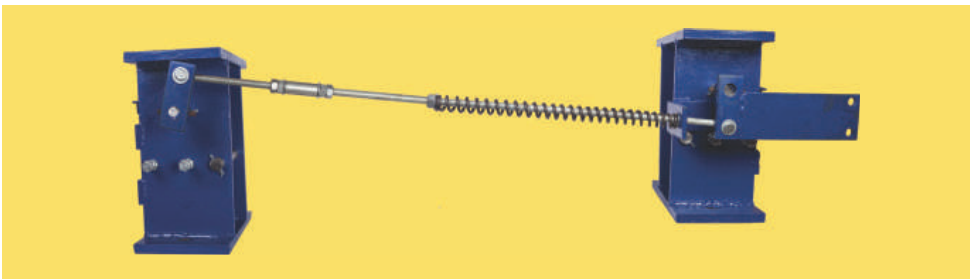
CODE - ESG - M1



CODE - ESG - M2



CODE - ESG - M3

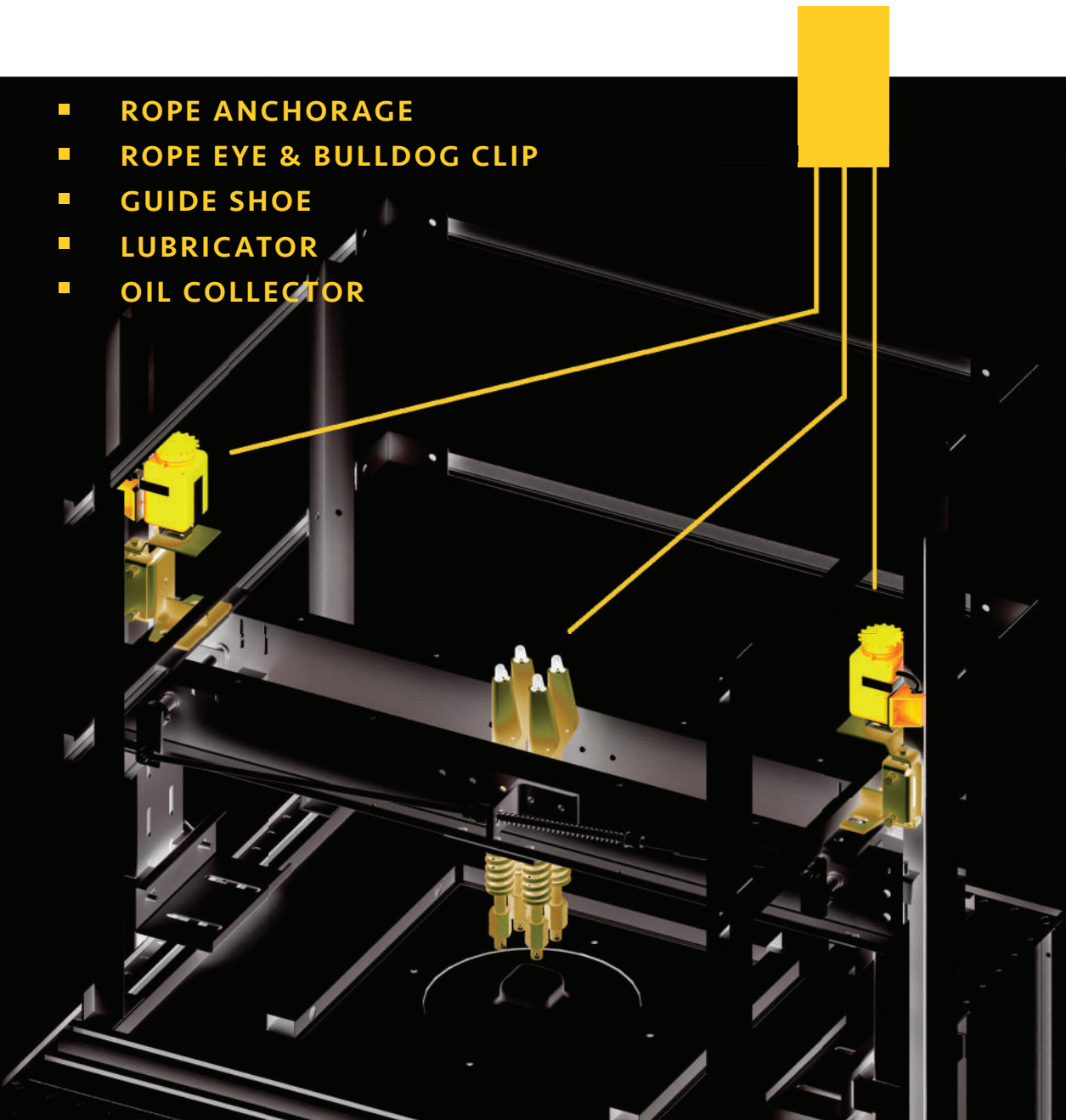


DISCOVER
A NEW DIMENSION
OF
SAFETY & QUALITY

CAR FRAME COMPONENTS

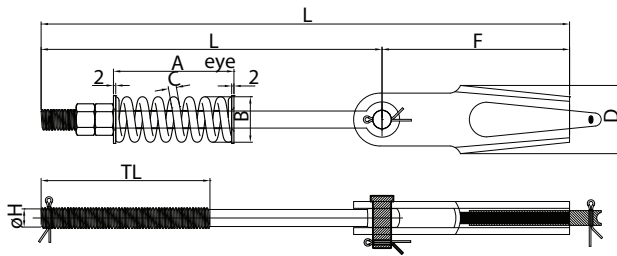


- ROPE ANCHORAGE
- ROPE EYE & BULLDOG CLIP
- GUIDE SHOE
- LUBRICATOR
- OIL COLLECTOR



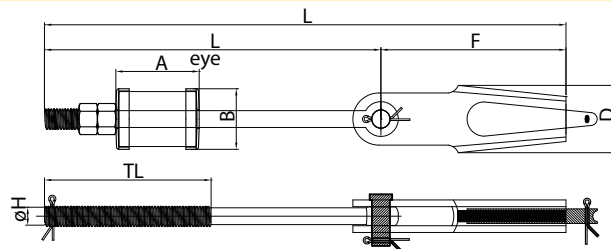
ROPE ANCHORAGE SWIVEL TYPE

CODE - ERA W/S



CODE	ROPE D mm	ø D	L eye	L mm	F	TL mm	A	B	C	D	MIN STRENGTH KN
ERA-W1/S	6 - 8	M12	300	430	130	150	110	32	6.5	50	29.4
	6 - 8	M12	500	630	130	150	110	32	6.5	50	29.4
ERA-W2/S	9 - 11	M16	300	465	165	150	102	40	7	60	56.5
	9 - 11	M16	500	665	165	150	102	40	7	60	56.5
ERA-W3/S	12 - 14	M20	300	500	200	150	156	50	9	75	78.9
	12 - 14	M20	500	700	200	150	156	50	9	75	78.9
ERA-W5/S	5 - 6.5	M10	180	265	85	75	68	24	4	36	22.7

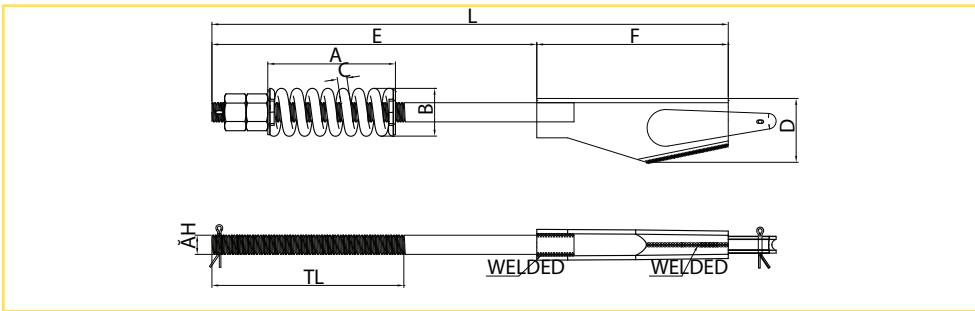
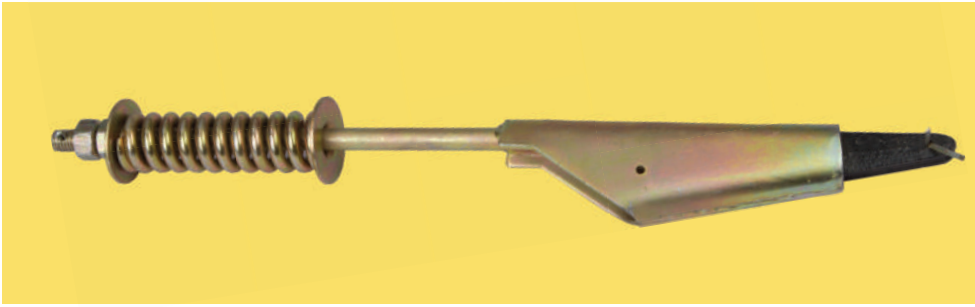
CODE - ERA W/R



CODE	ROPE D mm	ø D	L eye	L mm	F	TL mm	A	B	D	MIN STRENGTH KN
ERA-W1/R	6 - 8	M12	300	430	130	150	73.5	54	50	29.4
	6 - 8	M12	500	630	130	150	73.5	54	50	29.4
ERA-W2/R	9 - 11	M16	300	465	165	150	73.5	54	60	56.5
	9 - 11	M16	500	665	165	150	73.5	54	60	56.5
ERA-W3/R	12 - 14	M20	300	500	200	150	73.5	54	75	78.9
	12 - 14	M20	500	700	200	150	73.5	54	75	78.9
ERA-W5/R	5 - 6.5	M10	180	266	85	75	64	41	36	22.7

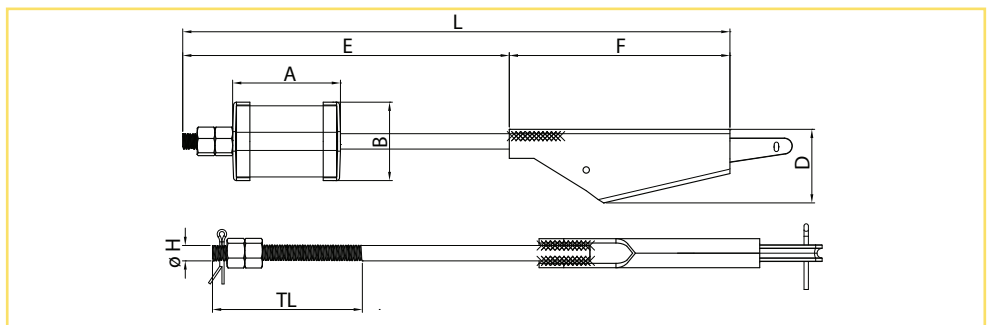
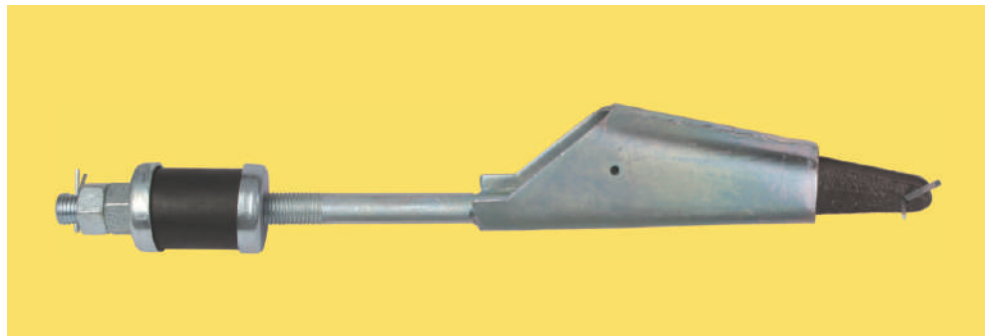
ROPE ANCHORAGE

CODE - ERA SM/S



CODE	ROPE D mm	ø H	L mm	TL mm	A	B	C	D	E	F	MIN STRENGTH KN
ERA-SM1/S	6 - 8	M12	375	105	110	32	6.5	50	225	150	40
ERA-SM2/S	9 - 11	M16	455	110	121	40	9	55	260	195	75
ERA-SM3/S	12 - 14	M20	480	200	156	50	9	60	300	180	85

CODE - ERA SM/R



CODE	ROPE D mm	ø H	L mm	TL mm	A	B	D	E	F	MIN STRENGTH KN
ERA-SM1/R	6 - 8	M12	375	105	73.5	54	50	225	150	40
ERA-SM2/R	9 - 11	M16	455	110	73.5	54	55	260	195	75
ERA-SM3/R	12 - 14	M20	480	200	73.5	54	60	300	180	85

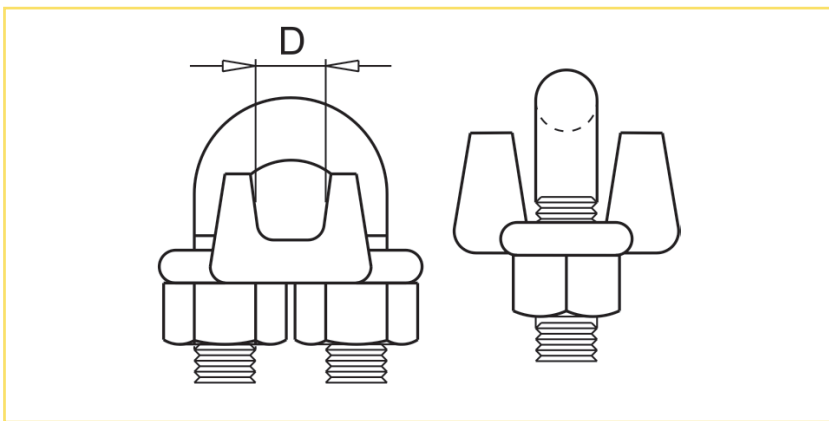
ROPE EYE & BULLDOG CLIP



CODE - EBC

Finish Available

- White Zinc Plated
- Yellow Zinc Plated



CODE	ROPE D.mm	TIGHTENING TORQUE Nm
E-BC1	5 - 6	4,24
E-BC2	7 - 8	4,24
E-BC3	9 - 10	10,20
E-BC4	12 - 13	20,11
E-BC5	15 - 16	20,11

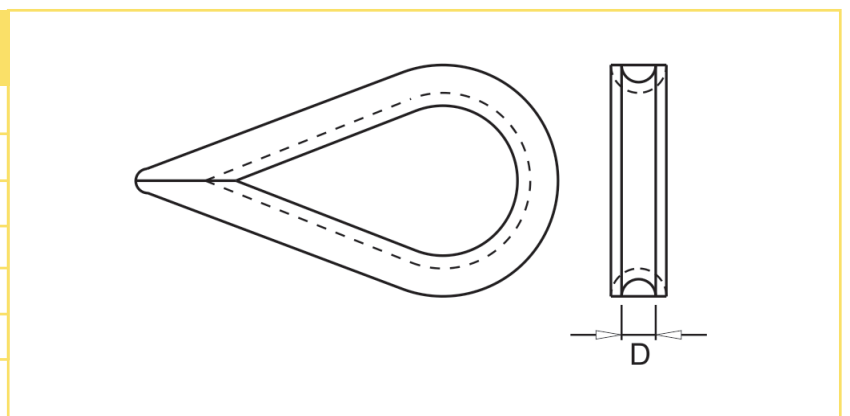
CODE - ERE

Finish Available

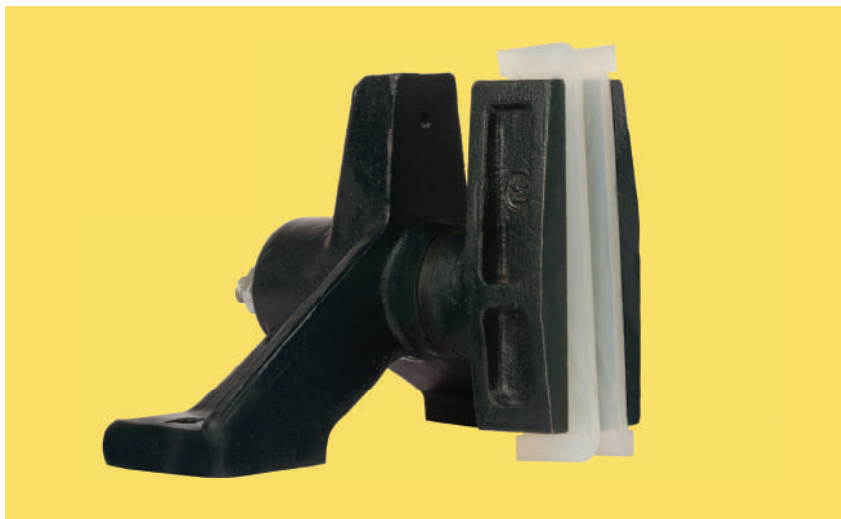
- White Zinc Plated
- Yellow Zinc Plated



CODE	ROPE D.mm
E-RE1	3 - 4
E-RE2	5 - 6
E-RE3	7 - 8
E-RE4	9 - 10
E-RE5	11 - 12
E-RE6	13 - 14

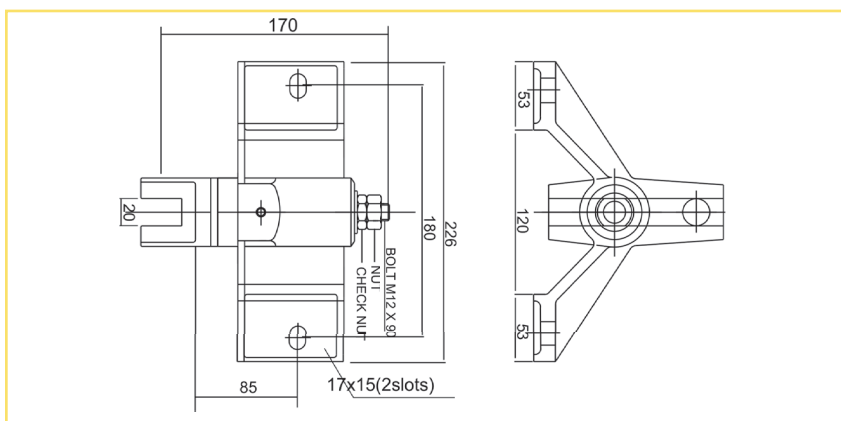


GUIDE SHOE



CODE - EGS 1

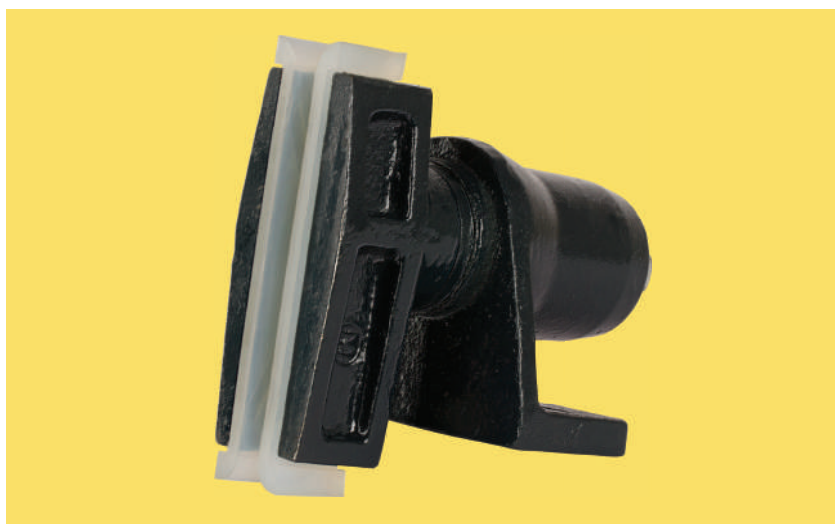
For Capacity - Upto 8 Passenger
 For Speed - Upto 0.85 m/s
 For Rail Size - 9mm, 10mm.



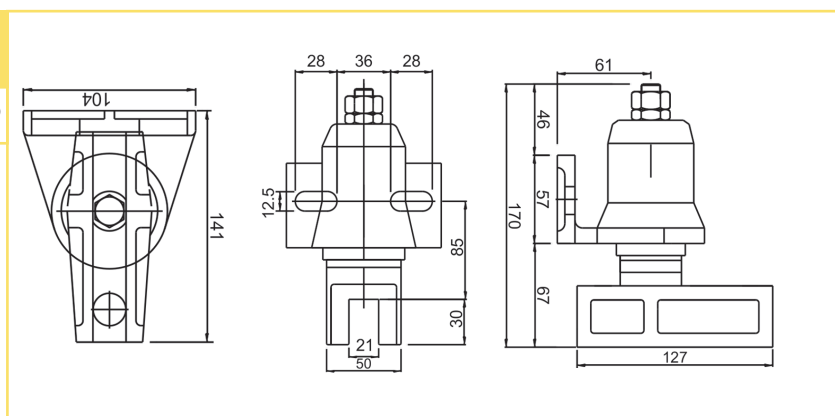
Rail Size	Load daN
For 5 to 10 mm	1000

CODE - EGS 1R

For Capacity - Upto 8 Passenger
 For Speed - Upto 0.85 m/s
 For Rail Size - 9mm, 10mm



Rail Size	Load daN	TYPE
For 5 to 10 mm	1000	SPRING LOADED

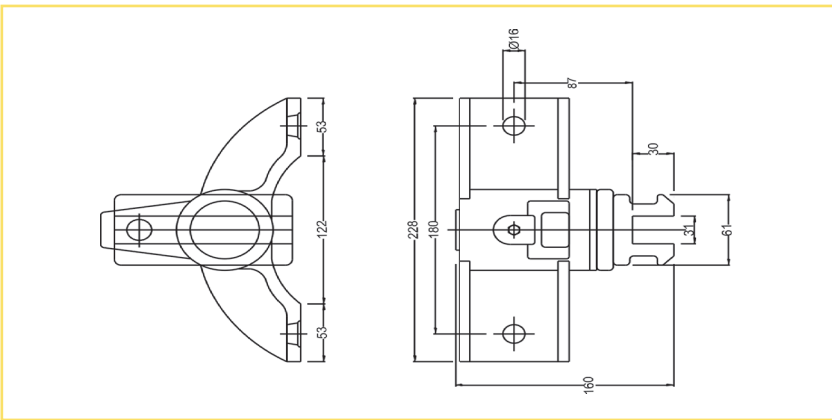


GUIDE SHOE



CODE - EGS 2

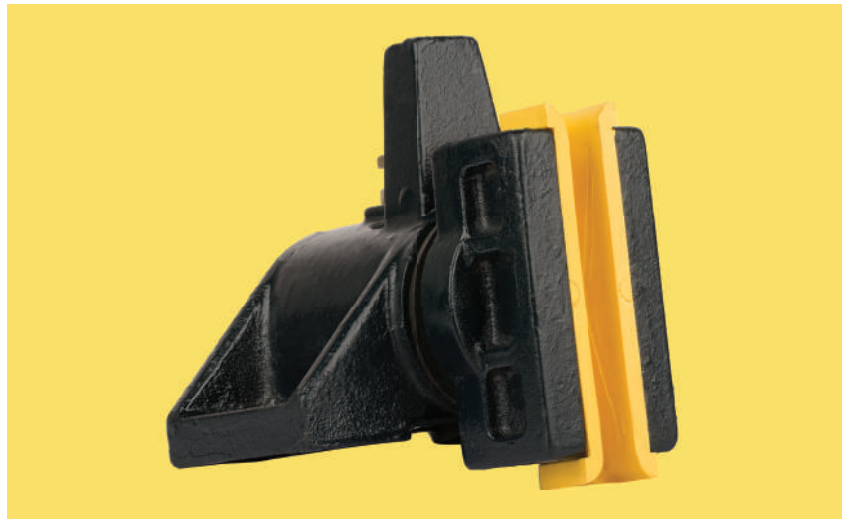
For Capacity - Upto 1.5 Tonne
 For Speed - Upto 0.6 m/s
 For Rail Size - 16mm



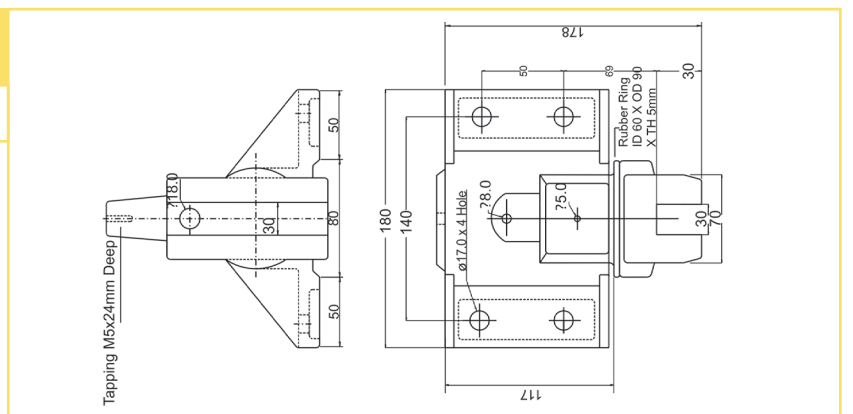
Rail Size	Load daN	Type
For 16 mm	2500	ROCKING T600

CODE - EGS 2A

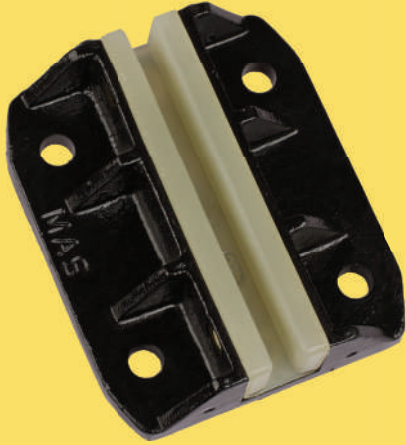
For Capacity - Upto 3 Tonne
 For Speed - Upto 0.6 m/s
 For Rail Size - 16mm



Rail Size	Load daN
For 16 mm	4500

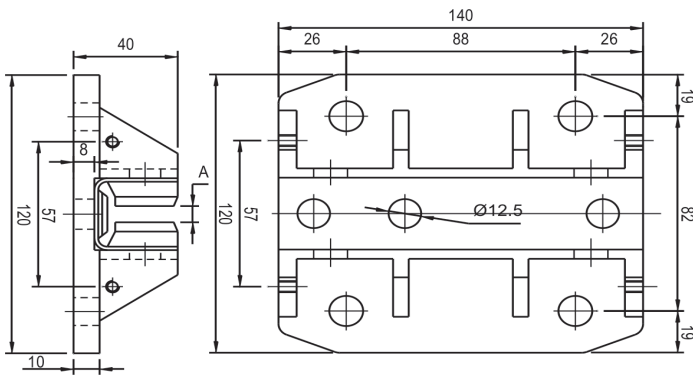


GUIDE SHOE



CODE - EGS A1

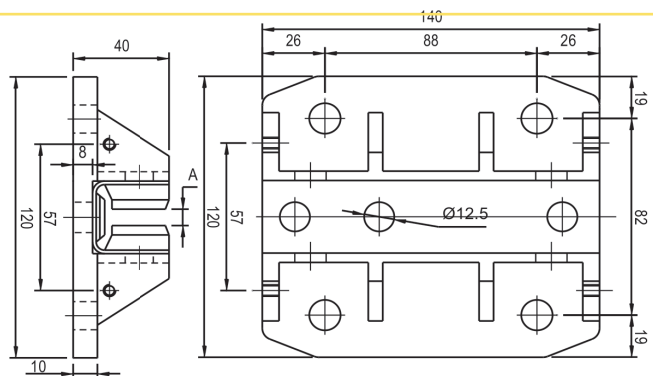
For Capacity - Upto 8 Passenger
 For Speed - Upto 0.85 m/s
 For Rail Size - 5, 6, 9, 10, 16mm"



Rail Size	Load daN	Type
From 5 to 16mm	1350	C. I.

CODE - ESG A1-L

For Capacity - Upto 8 Passenger
 For Speed - Upto 0.85 m/s
 For Rail Size - 5, 6, 9, 10, 16mm

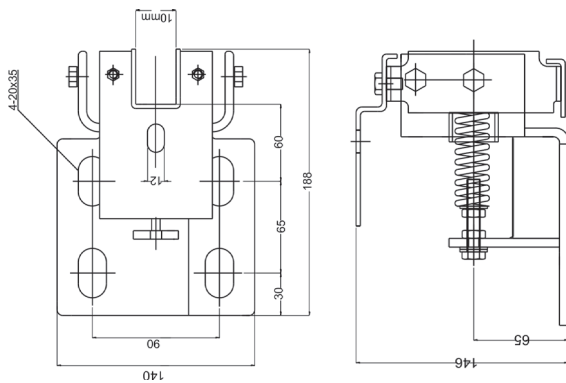
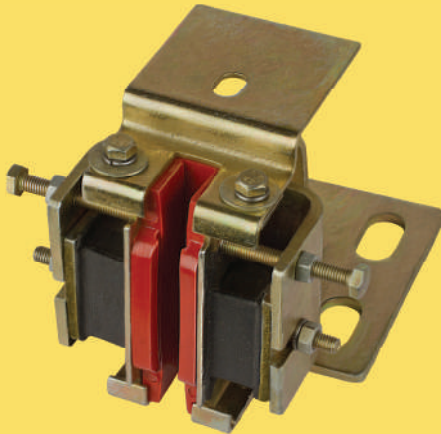


Rail Size	Load daN	TYPE
For 5 to 16 mm	1000	C. I.

GUIDE SHOE

CODE - EGS 5

For Capacity - Upto 20 Passenger
 For Speed - Upto 1.75 m/s
 For Rail Size - 9mm, 10mm, 16mm



Rated Speed

Rail Size

UPTO 1.75 M/S

From 9 to 16mm

Load daN

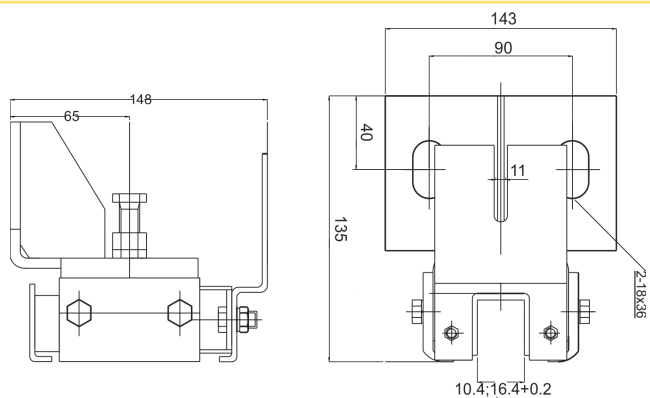
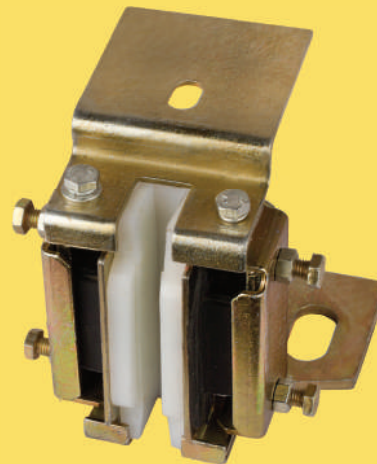
Type

2350

Sliding High Speed

CODE - EGS 6

For Capacity - Upto 10 Passenger
 For Speed - Upto 1.75 m/s
 (High Speed)
 For Rail Size - 9mm, 10mm, 16mm



Rated Speed

Rail Size

UPTO 1.75 M/S

From 9 to 16mm

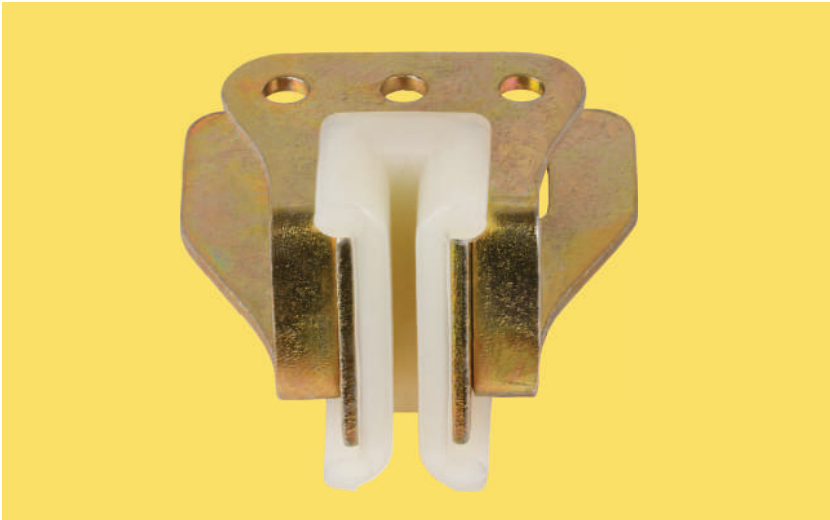
Load daN

Type

1350

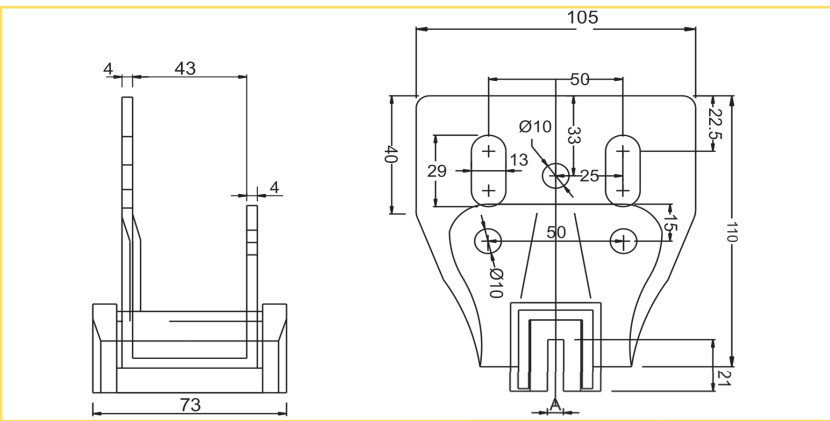
Sliding High Speed

GUIDE SHOE



CODE - EGS 3

For Capacity - Upto 8 Passenger
 For Speed - Upto 1.0 m/s
 For Rail Size - 5mm, 6mm



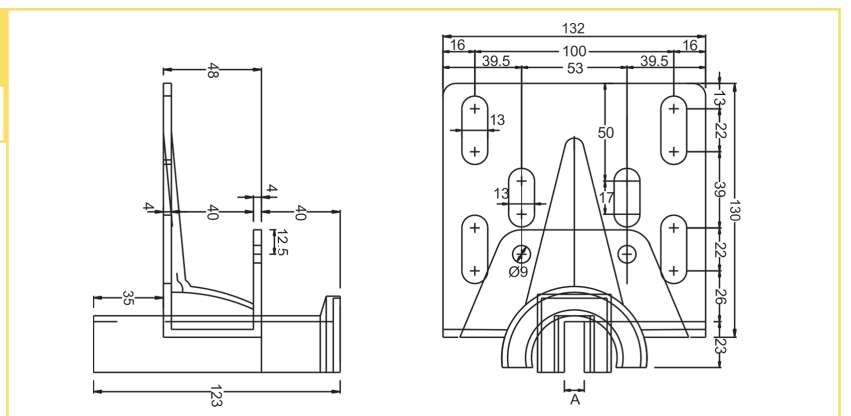
Rail Size	Load daN	Type
For 16 mm	2500	ROCKING T600

CODE - EGS 4

For Capacity - Upto 8 Passenger
 For Speed - Upto 0.85 m/s
 For Rail Size - 9, 10, 16mm



Rail Size	Load daN
For 16 mm	4500

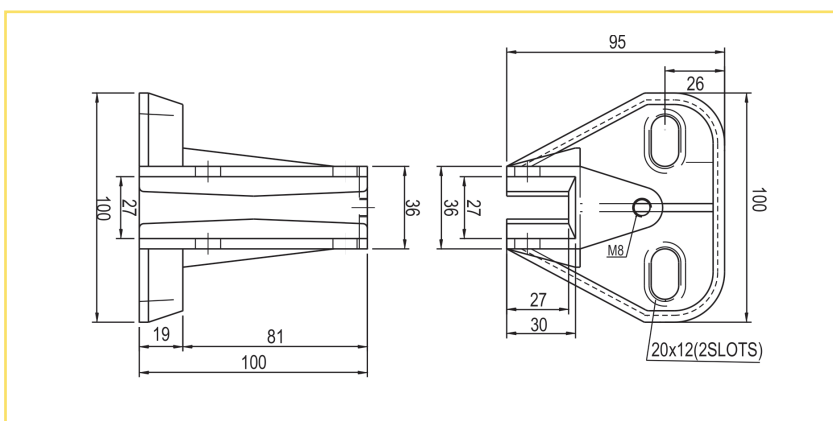


GUIDE SHOE



CODE - EGS 7

For Capacity - Upto 8 Passenger
 For Speed - Upto 0.85 m/s
 For Rail Size - 5mm, 6mm, 9mm



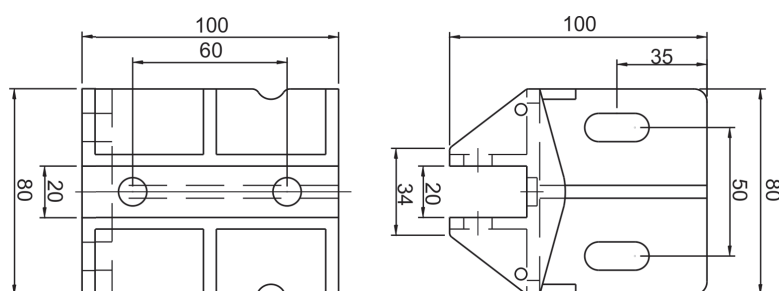
Rail Size	Load daN	Type
For 5 TO 9 mm	1000	Aluminium

CODE - EGS 8

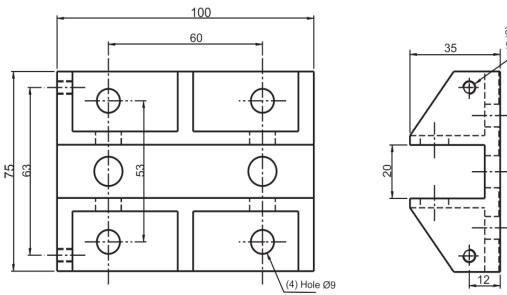
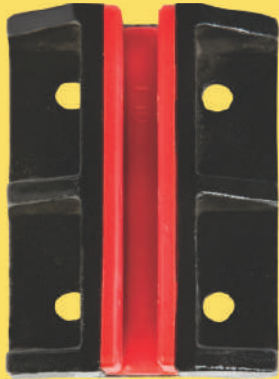
For Capacity - Upto 8 Passenger
 For Speed - Upto 0.85 m/s
 For Rail Size - 5mm, 6mm, 9mm



Rail Size	Load daN	Type
For 5 TO 9 mm	1000	Aluminium



GUIDE SHOE



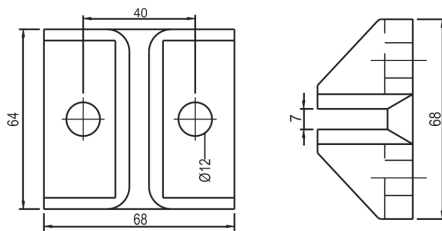
CODE - EGS 10

For Capacity - Upto 8
Passenger
For Speed - Upto 0.85m/s
For Rail Size - 5, 6mm

Rail Size	Load daN	Type
From 9 to 16mm	1350	C. I.

CODE - EGS 11

For Capacity - Upto 8
Passenger
For Speed - Upto 0.85m/s
For Rail Size - 5, 6mm

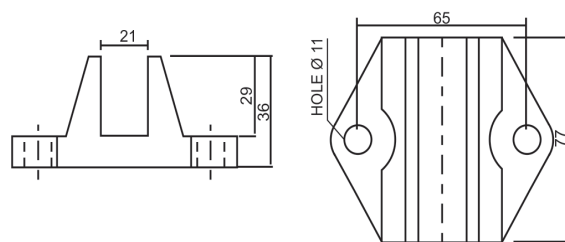


Rail Size	Load daN	Type
From 5 to 16mm	1000	Nylon



CODE - EGS CN

For Capacity - Upto 8
Passenger
For Speed - Upto 0.85m/s
For Rail Size - 5mm

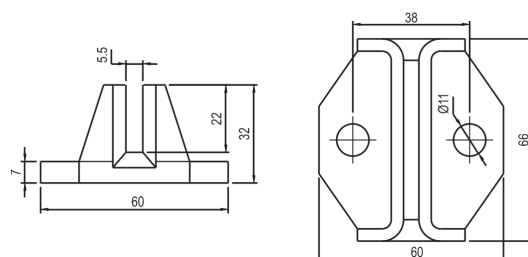


Rail Size	Load daN	Type
From 5 mm	1000	C. I.

CODE - EGS NY

For Capacity - Upto 8
Passenger
For Speed - Upto 0.85m/s
For Rail Size - 5, 6mm

NYLON GUIDE SHOE
WITH METAL SUPPORT



Rail Size	Load daN	Type
From 5 to 6mm	1000	Nylon

Soft Type
(yellow)



Hard type (grey)

OILER & OIL COLLECTORS

CODE - EOF 1

Oil Feeder Suitable for
EGS 1, EGS 2, EGS 2a



CODE - EOF 2

Oil Feeder Suitable for
EGS 3, EGS 7, EGS 5



CODE - EOF 3

Oil Feeder Suitable for EGS A1,
EGSA 1L, ESG 8 & ESG 11



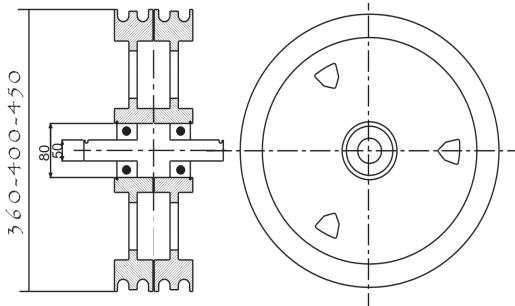
CODE - EOC

Oil Collector for rail size 5, 9,
14 & 16



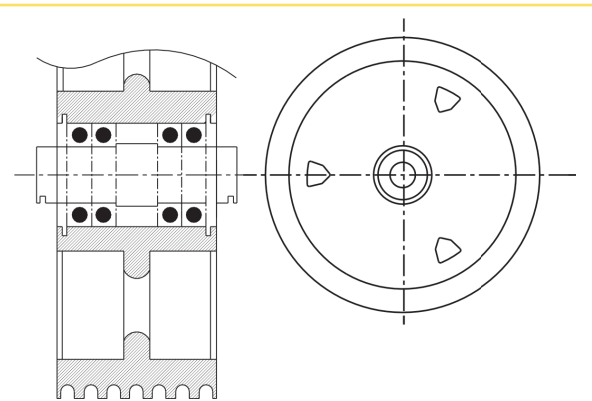
HYDRAULIC PULLEY

CODE - EPHD



Code	pulley Dia	Groove No.	Rope Dia	Axle Dia	Axle Length
EPH1	360	2 x 2	9 - 10	50	190
EPH2		2 x 3			225
EPH3	400	2 x 2	10 - 11		190
EPH4		2 x 3			225
EPH5	450	2 x 2	10 - 11 - 12		190
EPH6		2 x 3			240
EPH6A	250	2 x 2	9 - 11	190	

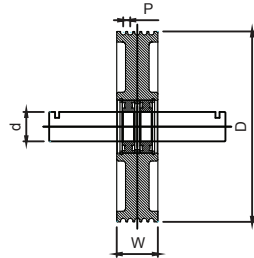
CODE - EPH



Code	pulley Dia	Groove No.	Rope Dia	Axle Dia	Axle Length
EPH7	450	4-5-6	10-11	175	500
EPH8	520	4-5-6	11-12-13	175	
EPH9	560	4-5	10-11	180	
EPH10		6	11-12-13-14	210	
EPH11	600	7-8		230	
EPH12		5-6	10-11-12	170	
EPH13	600	6-7	10-11-12	180	
EPH14		8	12-13-14	202	
EPH15	700	7-8	13-14	178	
EPH16	360	3	4-7	125	
EPH17	400	5	4-7	125	

DIVERTER PULLEY FOR CAR FRAME

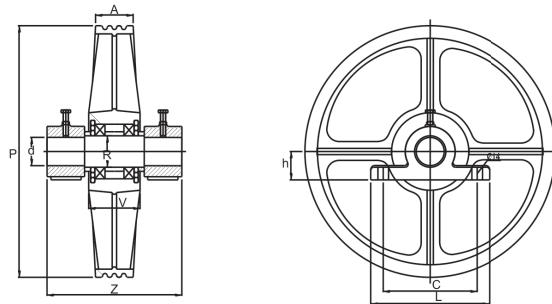
CODE - EP



Code	Pulley Dia. 'D'	Rope Dia.	No. of ropes	Pitch 'p'	Width 'W'	Shaft Dia. 'd'	Ball Bearing
EP250500605	250	6	5	12	84	50	6210-ZZ
EP250500606	250	6	6	12	84	50	6210-ZZ
EP250500607	250	6	7	12	116	50	6210-ZZ
EP250500608	250	6	8	12	116	50	6210-ZZ
EP300500804	300	8	4	12	70	50	6210-ZZ
EP300500805	300	8	5	12	70	50	6210-ZZ
EP300500806	300	8	6	12	83	50	6210-ZZ
EP300501003	300	10	3	17	70	50	6210-ZZ
EP300501004	300	10	4	17	83	50	6210-ZZ
EP300501005	300	10	5	17	102	50	6210-ZZ
EP300501303	300	13	3	19	70	50	6210-ZZ
EP300501304	300	13	4	19	83	50	6210-ZZ
EP320550605	320	6	5	12	70	55	6211-ZZ
EP320550606	320	6	6	12	86	55	6211-ZZ
EP320550607	320	6	7	12	106	55	6211-ZZ
EP320550608	320	6	8	12	130	55	6211-ZZ
EP320550804	320	8	4	12	70	55	6211-ZZ
EP320550805	320	8	5	12	70	55	6211-ZZ
EP320550806	320	8	6	12	86	55	6211-ZZ
EP400550804	400	8	4	12	70	55	6211-ZZ
EP400550805	400	8	5	12	70	55	6211-ZZ
EP400550806	400	8	6	12	84	55	6211-ZZ
EP400550808	400	8	8	12	102	55	6211-ZZ
EP400551003	400	10	3	17	70	55	6211-ZZ
EP400551004	400	10	4	17	84	55	6211-ZZ
EP400551005	400	10	5	17	102	55	6211-ZZ
EP400551303	400	13	3	19	70	55	6211-ZZ
EP400551304	400	13	4	19	84	55	6211-ZZ
EP400551305	400	13	5	19	102	55	6211-ZZ
EP525550806	525	8	6	12	102	55	6211-ZZ
EP525550808	525	8	8	12	108	55	6211-ZZ
EP525551003	525	10	3	17	102	55	6211-ZZ
EP525551004	525	10	4	17	102	55	6211-ZZ
EP525551005	525	10	5	17	102	55	6211-ZZ
EP525551303	525	13	3	19	102	55	6211-ZZ
EP525551304	525	13	4	19	102	55	6211-ZZ
EP525551305	525	13	5	19	130	55	6211-ZZ
EP525551306	525	13	6	19	130	55	6211-ZZ

DIVERTER PULLEY FOR MACHINE

CODE - EP



CODE	ØP	GROOVES "n"	ROPE DIA "mm"	A	C	L	V	Z	d	h	R	STATIC LOAD kg	BALL BEARINGS
EP2	360	4	9-11	82	128	175	85	300	50	45	55	2000	6210-ZZ
EP3	400	4	9-11	85	128	175	85	300	50	45	55	2500	6210-ZZ
EP4	400	5	9-11	100	128	175	85	300	50	45	55	3900	6210-ZZ
EP5	450	5	9-11/ 12-14	100	128	175	85	300	50	45	55	3900	6210-ZZ
EP6	525	6	9-11/ 12-14	133	135	185	133	300	55	48	60	6300	6211-ZZ
EP7	550	7	9-11	130	128	175	122	300	55	48	60	6300	6211-ZZ
EP8	480	5	12-14	101	135	175	88	300	50	45	55	3900	6210-ZZ
EP9	480	6	12-14	134	135	175	124	300	50	45	55	3900	6210-ZZ
EP10	400	6	9-11/ 12-14	101	128	175	86	300	50	45	55	3900	6210-ZZ
EP11	200	4	9-11	82	125	174	53	300	45	49	45	1800	6209-ZZ
EP12	300	3	10-13	85	128	175	85	300	50	45	55	2000	6210-ZZ
EP13	300	4	10-13	85	128	175	85	300	50	45	55	2000	6210-ZZ
EP14	400	3	9-11/ 12-14	85	128	175	85	300	50	45	45	2500	6210-ZZ
EP15	200	2	9-11	50	128	174	53	300	45	49	45	1800	6209-ZZ
EP16	200	5	9-11	82	128	174	53	300	45	49	45	1800	6209-ZZ
EP17	200	6	9-11	82	128	174	53	300	45	49	45	1800	6209-ZZ
EP18	250	4	9-11	85	128	174	53	300	45	49	45	1800	6209-ZZ
EP19	250	5	9-11	85	128	174	53	300	45	49	45	1800	6209-ZZ
EP20	300	5	9-11	100	128	175	85	300	50	45	55	2000	6210-ZZ
EP21	320	8	9-11	100	128	175	85	300	50	45	55	2000	6210-ZZ
EP22	360	5	9-11	107	128	175	85	300	50	45	55	2000	6210-ZZ
EP23	400	7	9-11/ 12-14	135	128	175	85	300	50	45	55	3900	6210-ZZ
EP24	450	4	9-11	135	128	175	85	300	50	45	55	3900	6210-ZZ
EP25	450	7	9-11/ 12-14	135	128	175	85	300	50	45	55	3900	6210-ZZ
EP26	525	3	12-14	100	135	175	124	300	55	48	60	6300	6211-ZZ
EP27	525	4	12-14	100	135	175	124	300	55	48	60	6300	6211-ZZ
EP28	525	5	12-14	100	135	175	124	300	55	48	60	6300	6211-ZZ
EP29	250	6	9-11	82	128	174	53	300	45	49	45	1800	6209-ZZ
EP30	250	8	9-11	100	128	174	53	300	45	49	45	1800	6209-ZZ
EP31	320	4	9-11	85	128	175	85	300	50	45	55	2000	6210-ZZ
EP32	360	6	9-11	82	128	175	85	300	50	45	55	2000	6210-ZZ
EP33	320	5	9-11	100	128	175	85	300	50	45	55	2000	6210-ZZ
EP34	210	5	9-11	85	128	174	53	300	45	49	45	1800	6209-ZZ
EP35	240	6	9-11	85	128	174	53	300	45	49	45	1800	6209-ZZ
EP36	240	8	9-11	85	128	174	53	300	45	49	45	1800	6209-ZZ
EP37	240	10	9-11	85	128	174	53	300	45	49	45	1800	6209-ZZ

PULLEY ACCESSORIES

PEDESTAL

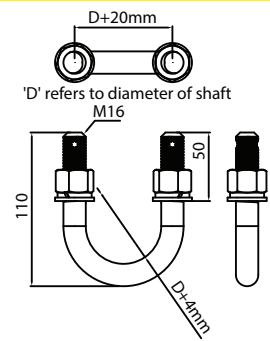
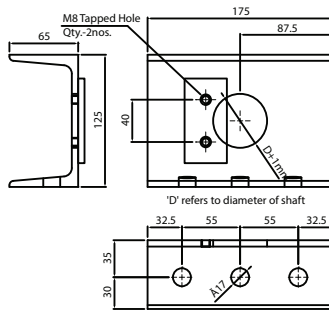
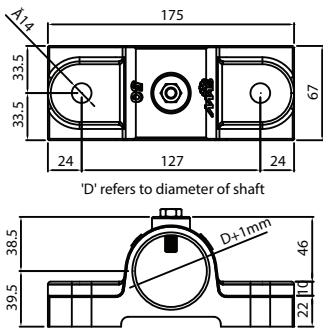
CASTING PEDESTAL



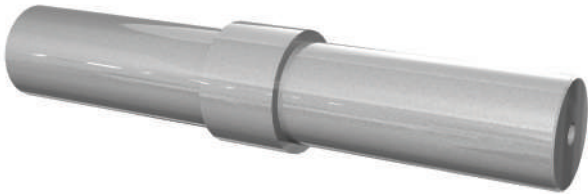
FABRICATED PEDESTAL



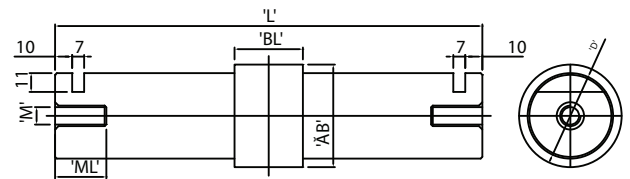
U - BOLT



SHAFTS



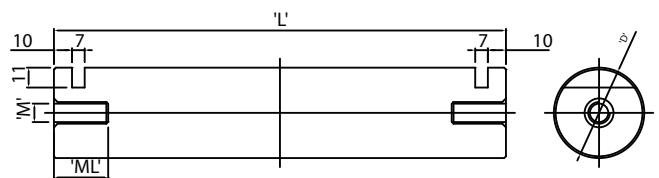
SHAFT WITH CENTRE LOCKING PULLEY ARRANGEMENT



D, B, BL, L, M, ML customised as per needs



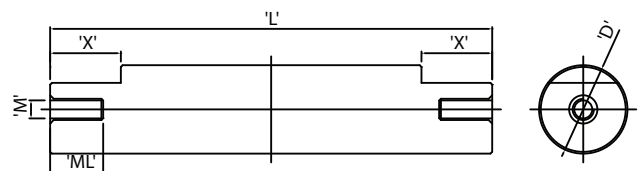
SHAFT WITH PROVISION FOR LOCK PLATE



D, L, M, ML customised as per needs



SHAFT WITH PROVISION FOR U BOLT CLAMPING



D, L, X, M, ML customised as per needs

**GET YOUR
WIRES & CABLES
ORGANISED**

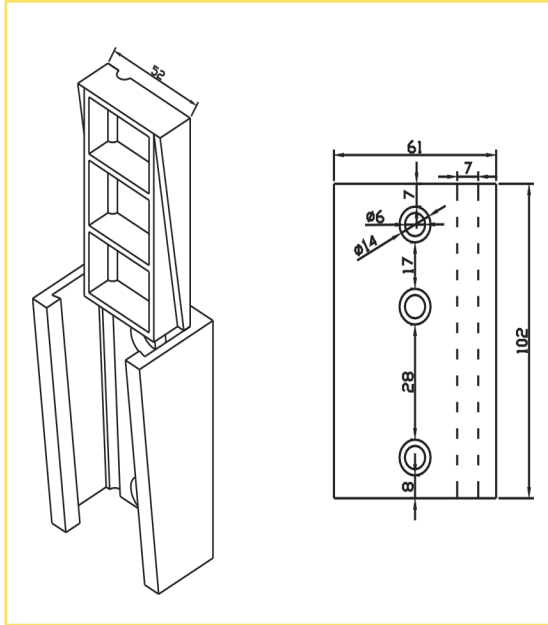
CABLE HANGER



- **CABLE HANGER FOR LIFT SHAFT**
- **CABLE HANGER FOR PLATFORM**
- **CABLE HANGER FOR CAR TOP**

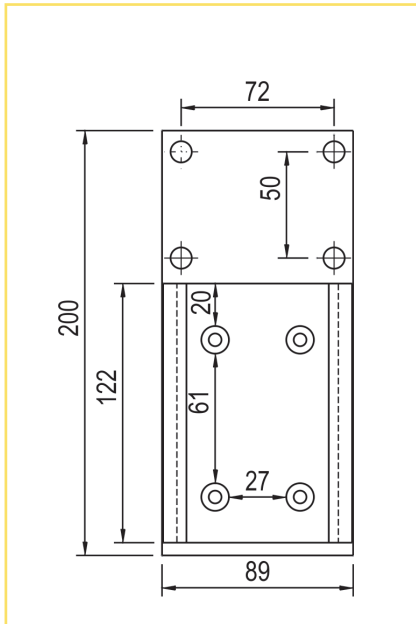
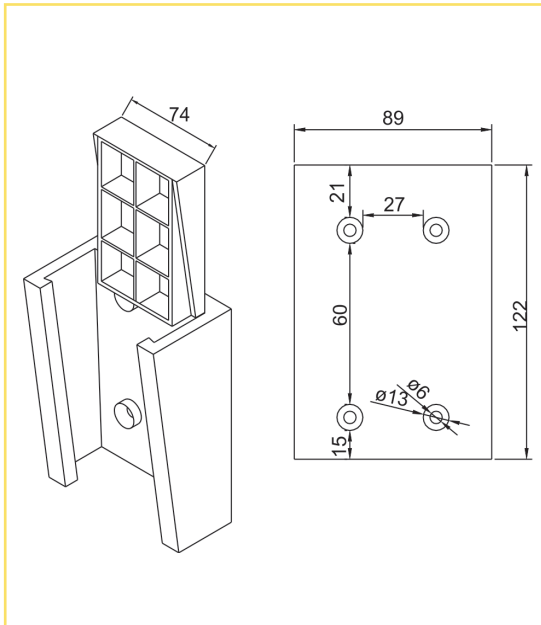


CABLE HANGER



CODE - ECHP PY 1

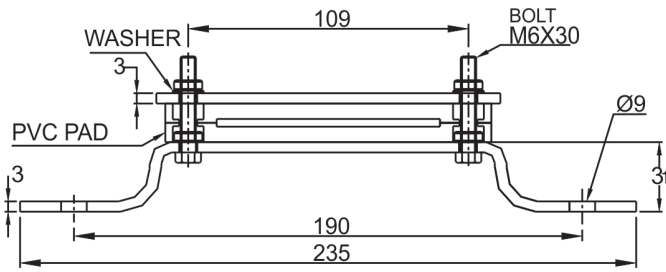
CODE - ECHP PY 2



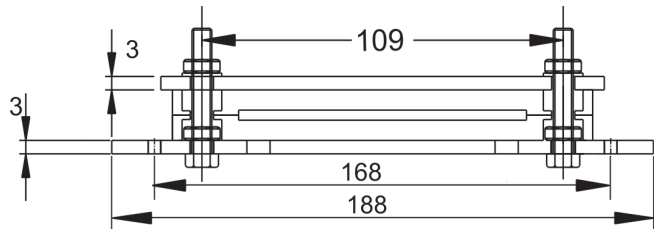
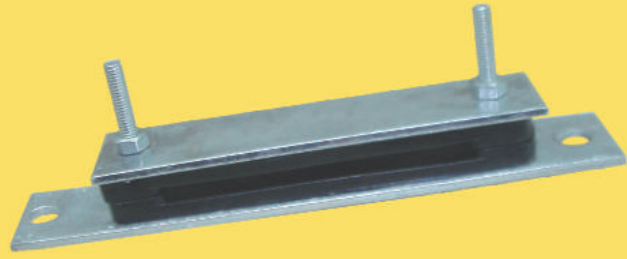
CODE - ECHP PY 3

CABLE HANGER

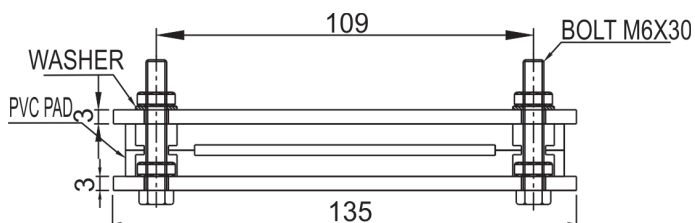
CODE - ECHP 1



CODE - ECHP 3

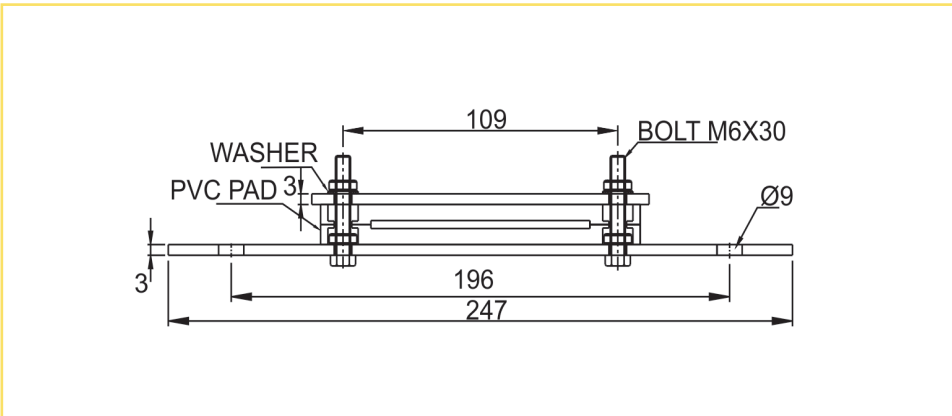
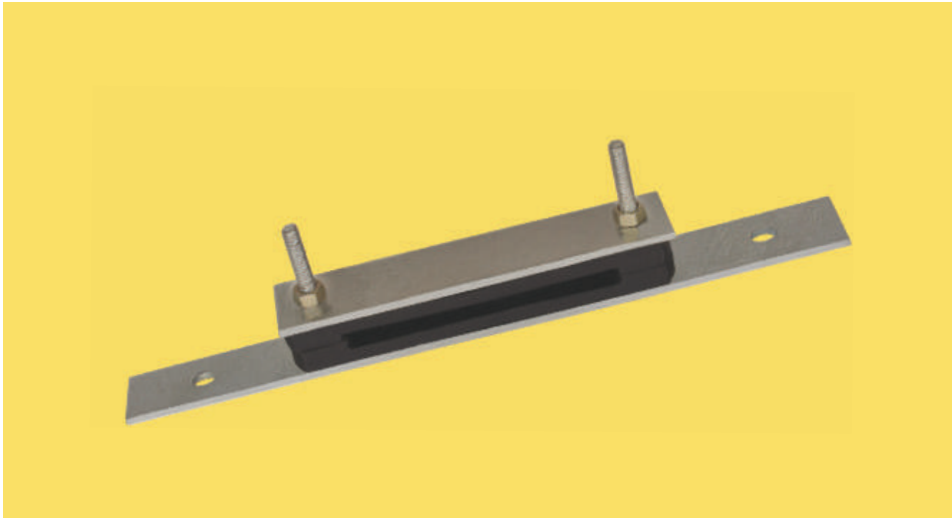


CODE - ECHP 4

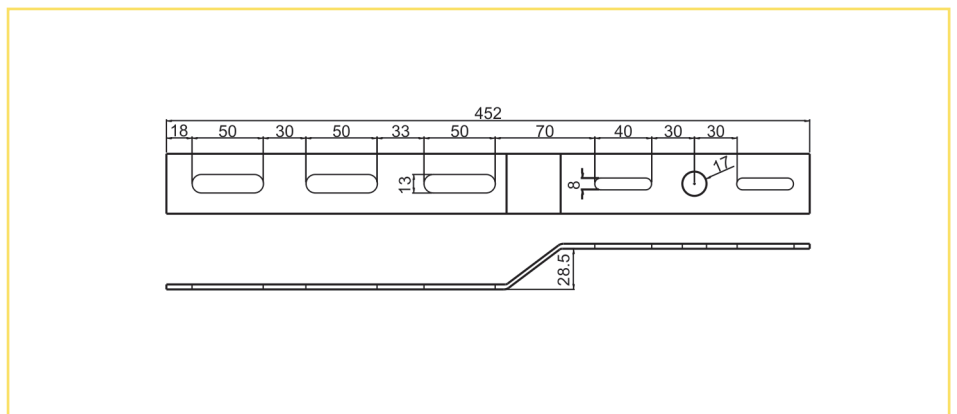
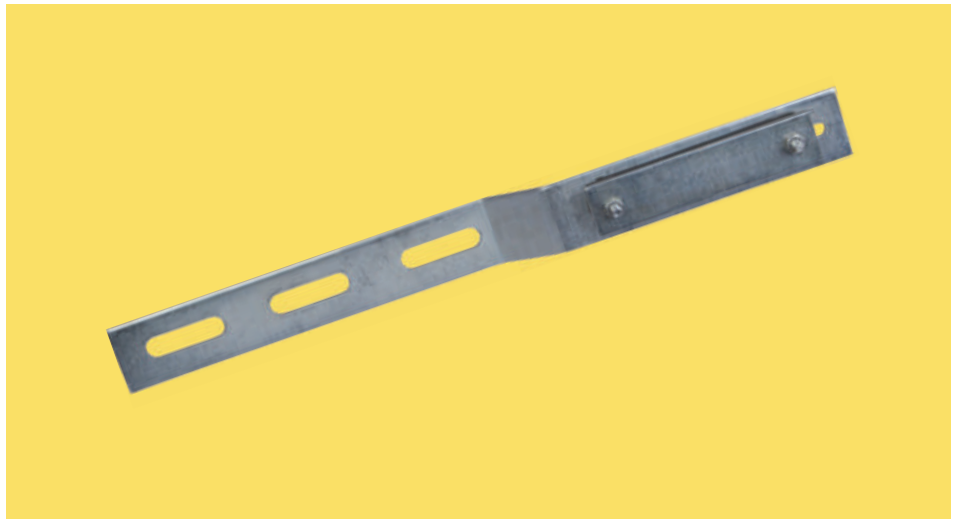


CABLE HANGER

CODE - ECHP 3



CODE - ECHP 7

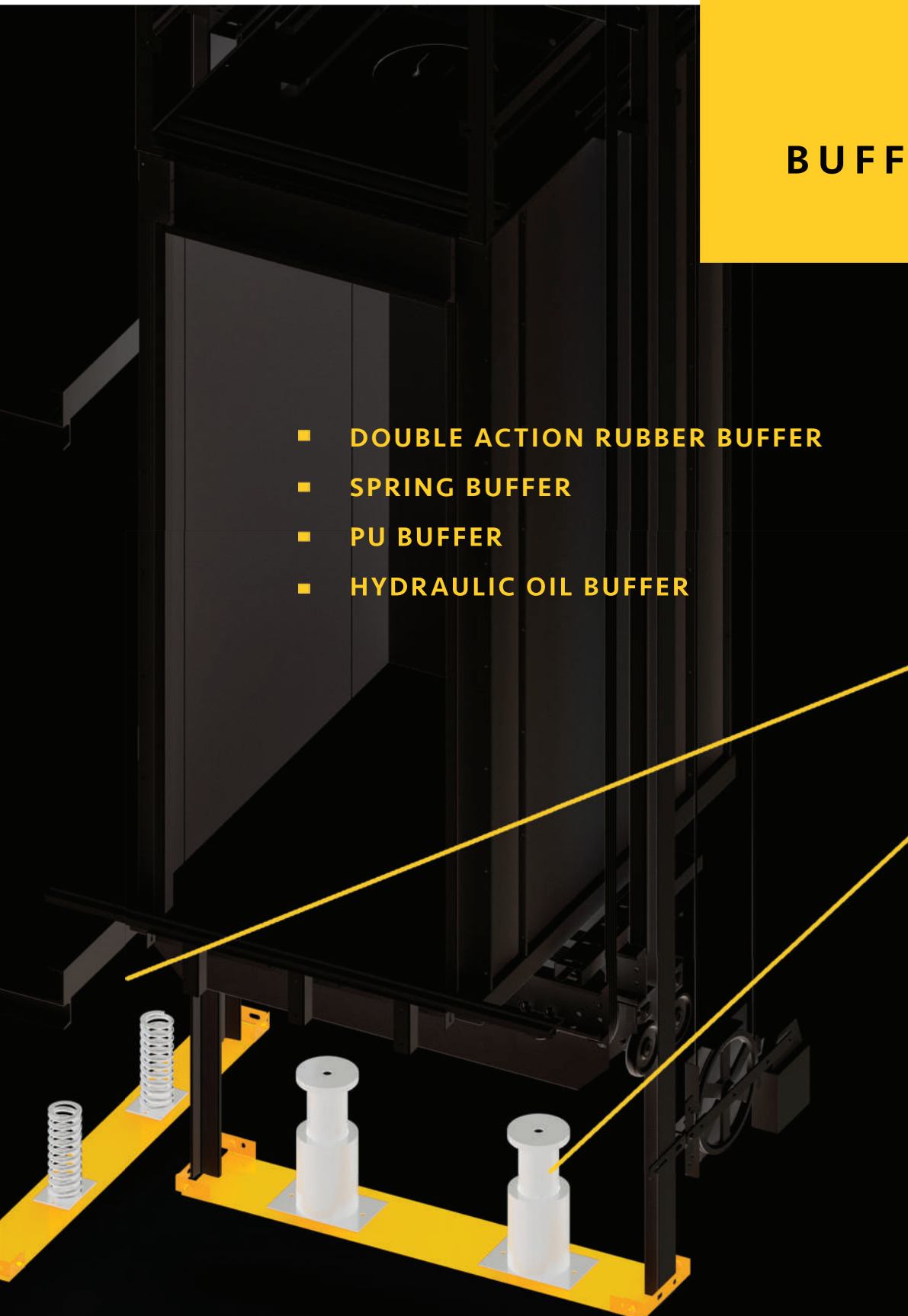


**OUR BUFFERS
WILL NEVER
LET YOU DOWN**

BUFFERS

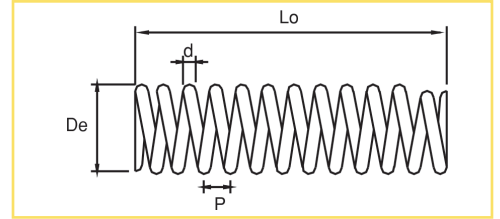


- **DOUBLE ACTION RUBBER BUFFER**
- **SPRING BUFFER**
- **PU BUFFER**
- **HYDRAULIC OIL BUFFER**



SPRING BUFFERS

CODE - ESD



TEHNIICAL DATA	LENGTH Lo = mm	WIRE DIA D = mm	OUTSIDE DIA De = mm	MIDDLE DIA Dm = mm	PITCH P = mm	ACTIVE TURNS it=	TOTAL TURNS it=	TOTAL COMPRESS LOAD F = daN
E SD 14	235	14	85	71	23.26	9.50	10.50	828
ESD14/320	320	14	94	80	26.61	11.50	13.00	928
ESD15	210	15	89	74	26	7.50	8.50	1165
ESD15/330	330	15	94	79	30	10.50	12.00	1360
ESD16	320	16	112	96	38	20	10	1560
ESD18	250	18	98	80	29	8.00	9.00	1851
ESD18/20	420	18	98	80	29.78	13.50	15.00	2007

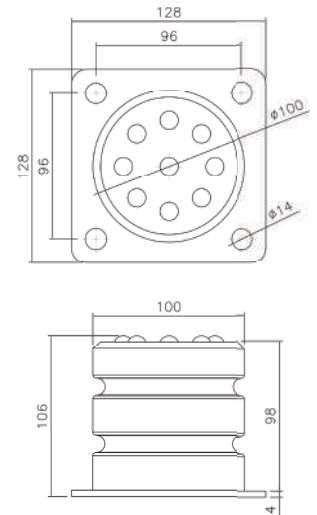
OIL BUFFER

CODE - BFOL



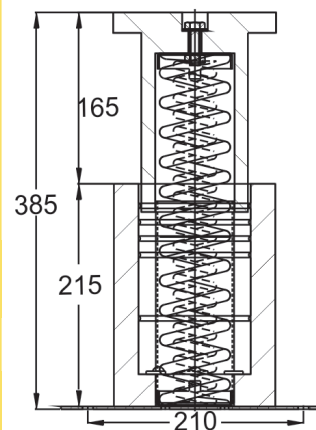
MIN. STROKE - 173.7
 MAX. OPEN HEIGHT - 485.6
 NOMINAL OIL VOLUME - 0.9LITRES
 BUFFER MASS / NO OIL - 6.7KG

PU BUFFER



- Speed $\leq 1,00$ m/s
- Load 450Kg - 2200Kg
- Height = 115 mm
- Diameter = 95 mm

DOUBLE ACTION RUBBER BUFFER



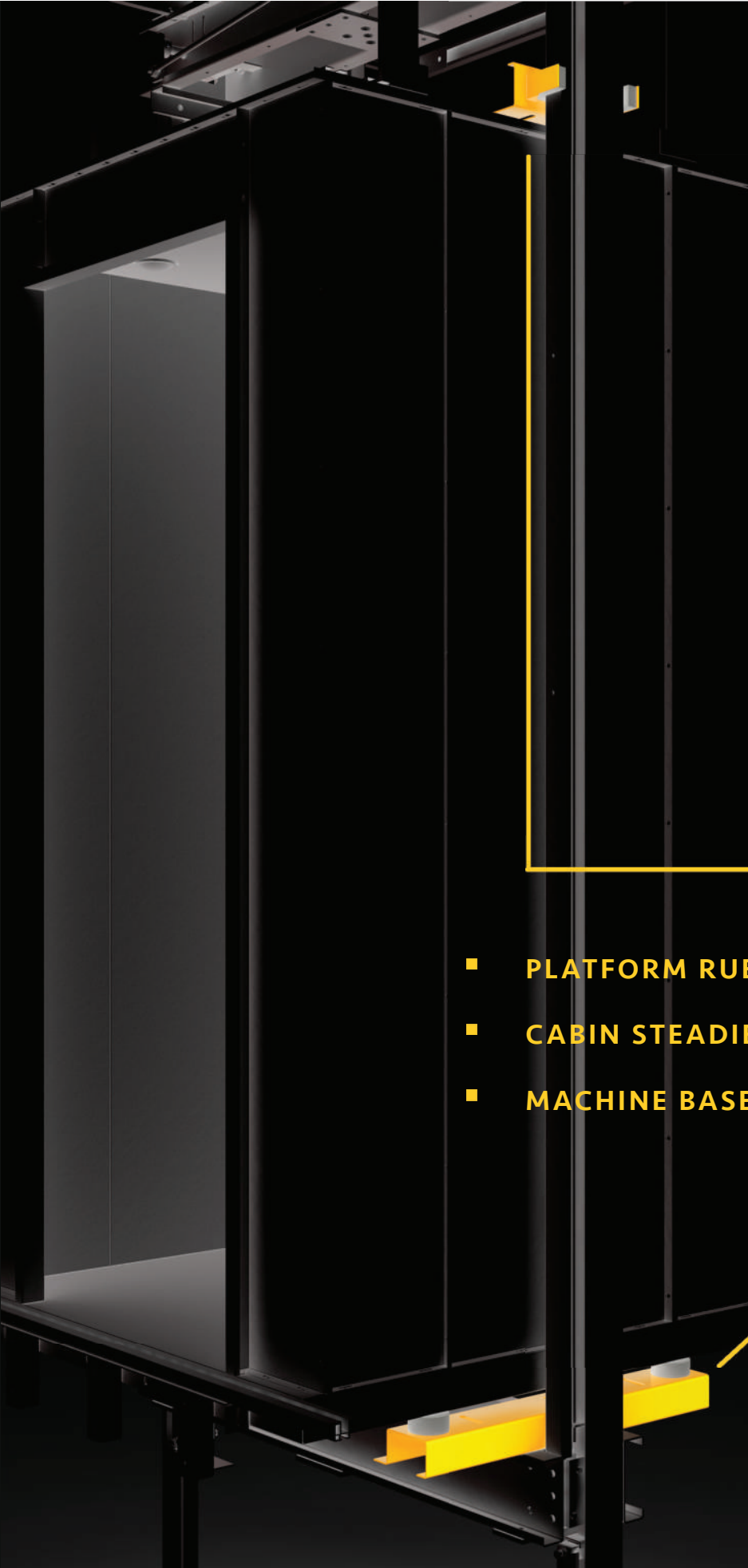
Code	Speed m/s
ERB-4S	0,63
Impact Force N	Buffer Stroke (Single Buffer)mm
21140	110

SILENT SYNCHRONIZATION OF YOUR CABIN & CAR FRAME

ISOLATORS

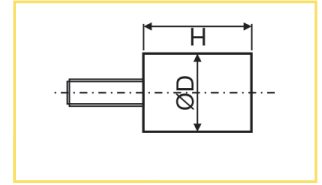


- PLATFORM RUBBER
- CABIN STEADIER RUBBER
- MACHINE BASE RUBBER

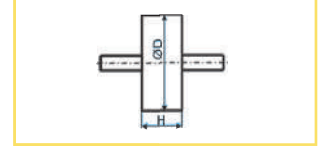


ISOLATORS

CODE	HARDNESS sh	D mm	H mm	PIN	STROKE Y mm	LOAD daN
ERB-A3	sh65	56	38	M10x23x23	280	3.8
ERB-A6	sh65	75	30	M12x28x23	455	3.5



CODE	HARDNESS sh	D mm	H mm	PIN	STROKE Y mm	LOAD daN
ERB-A4	sh65	40	32	M10x22	200	3.0



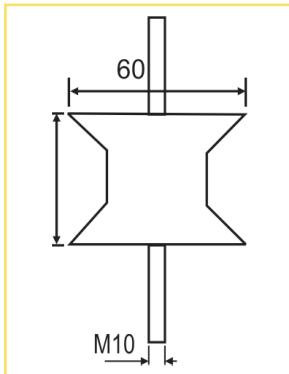
STEADIER BUFFER

CODE -ERB-V

FOR LOWER CAR FRAME BUFFER



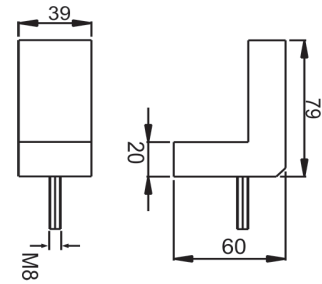
M10 HARDNESS sh55



CODE -ERB-L



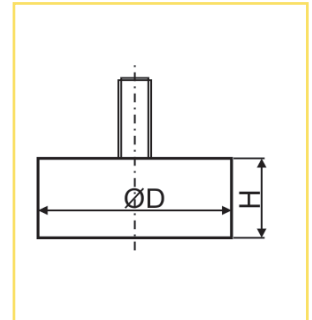
FOR UPPER CAR FRAME BUFFER



M8 HARDNESS sh55

MACHINE BASE RUBBER

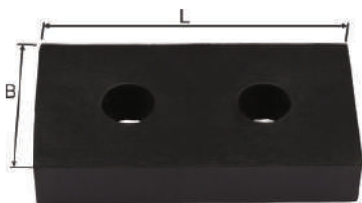
CODE	HARDNESS sh	D mm	H mm	PIN	STROKE Y mm	LOAD daN
ERB- H	sh65	110	29	M14x37	1000	7
ERB- N	sh65	100	50	M14x55	1000	7



MACHINE BASE RUBBER

ERB-B6

Base rubber with 2 hole
L-140 x B-75 x Thk - 25



Load daN 1000 for bed plates

ERB-B7

Base rubber
L-150 x B-108 x Thk - 28



Load daN 1000 for bed plates

ERB-B8

Base rubber with 1 hole
L-75 x B-75 x Thk - 24



**THE SHAFT IS YOURS
LET US FIX THE
BRACKETS**

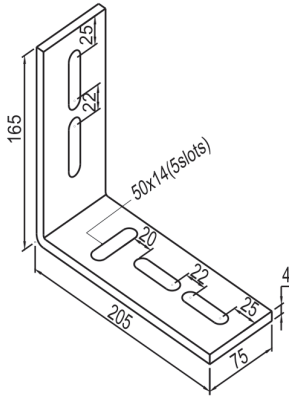
BRACKETS & ACCESSORIES



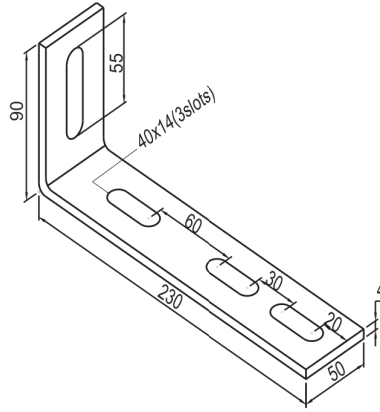
- **ADJUSTABLE RAIL BRACKET**
- **COMBINATION BRACKET**
- **DOOR BRACKET**



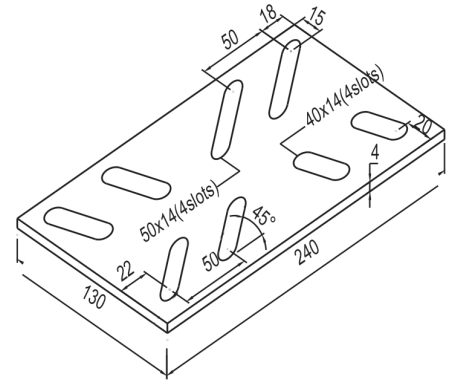
ELEVATOR BRACKETS



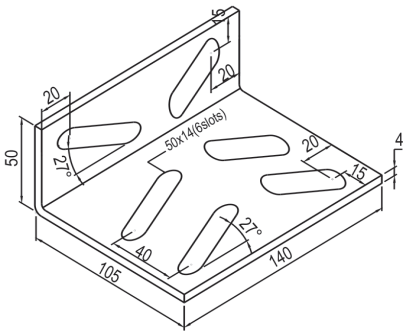
EBR 1



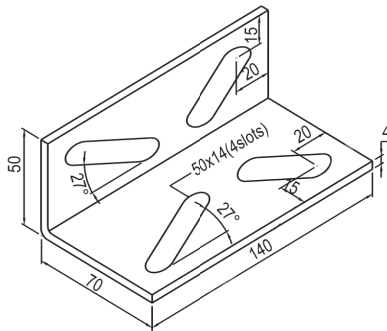
EBR 2



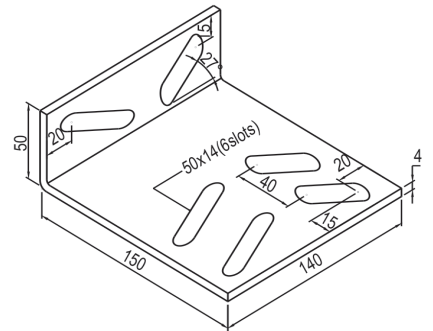
EBR 3



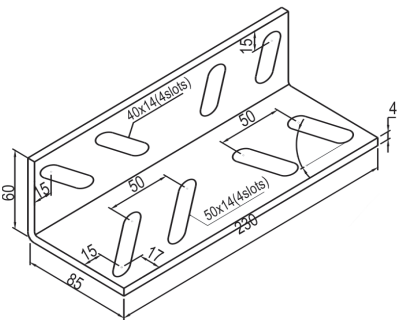
EBR 4



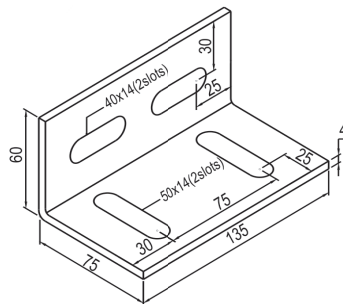
EBR 4M



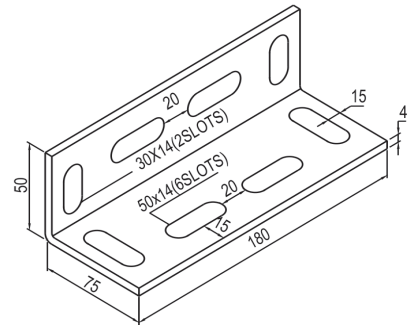
EBR 5



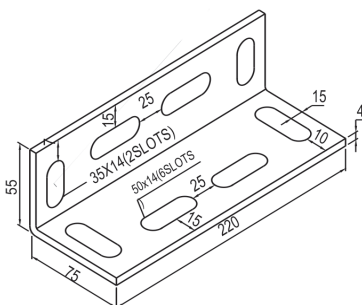
EBR 6



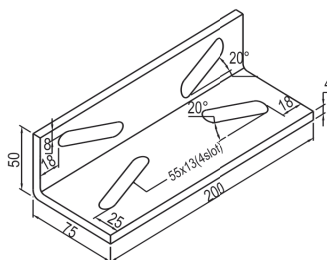
EBR 7



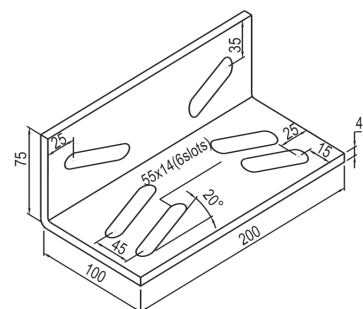
EBR N1



EBR N2

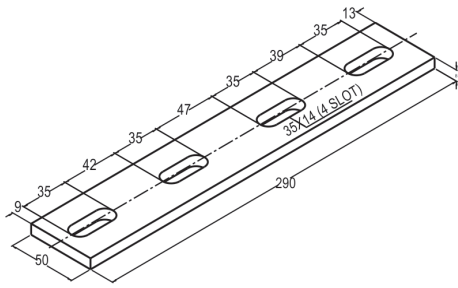


EBR AR1

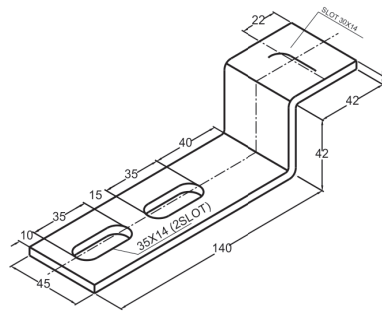


EBR AR1

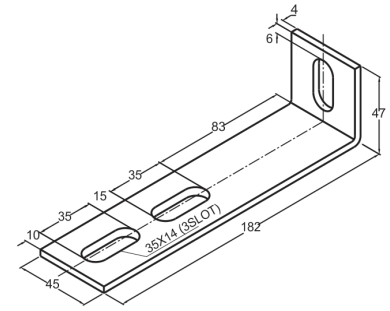
ELEVATOR BRACKETS



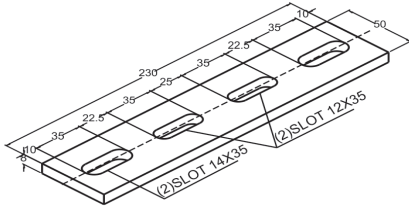
EBR - EF 1



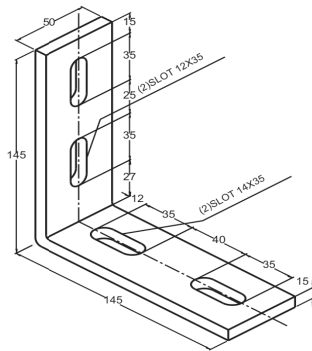
EBR - EF 2



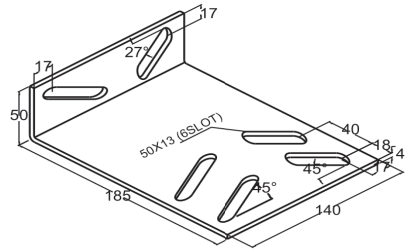
EBR - EF 3



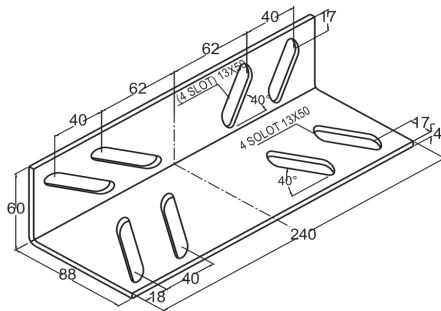
EBR - EF 4



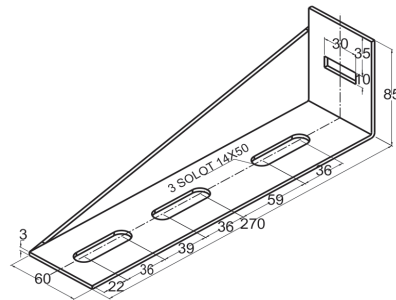
EBR - EF 5



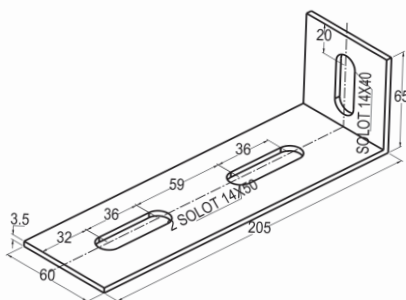
EBR - SE 1



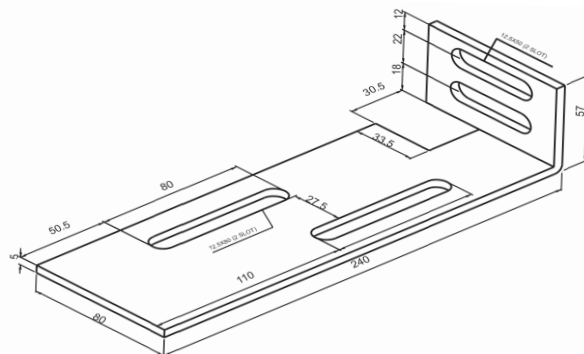
EBR - SE 2



EBR - SE 3

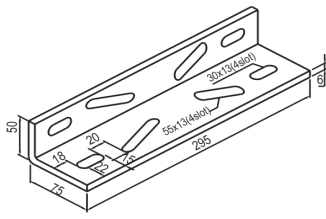


EBR - SE 4

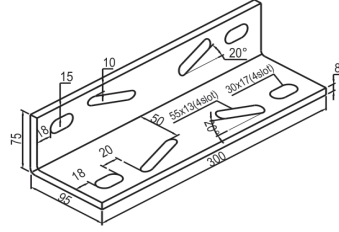


EBR - AE

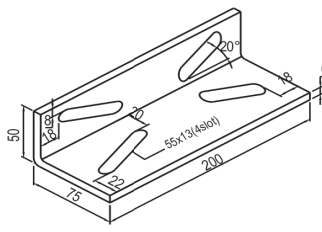
ELEVATOR BRACKETS



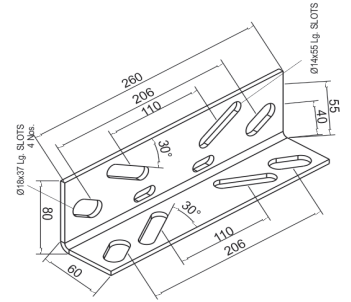
EBR AC2



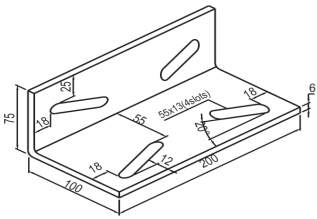
EBR AC2X



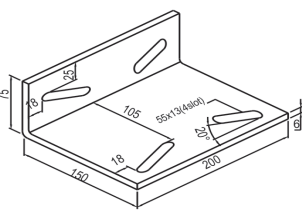
EBR AD1



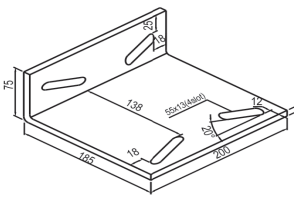
EBRETA



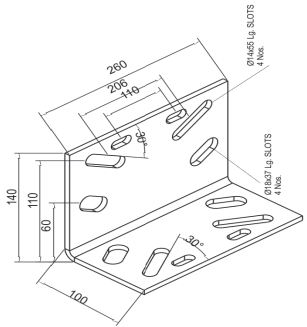
EBR AD2



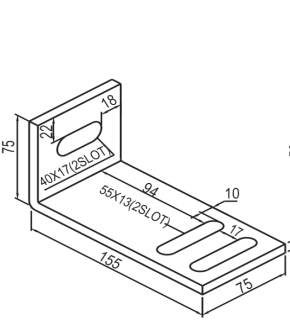
EBR AD3



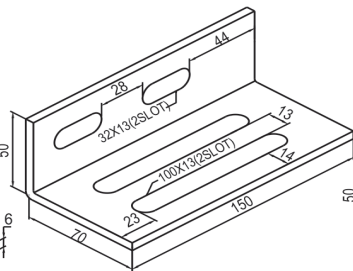
EBR AD3X



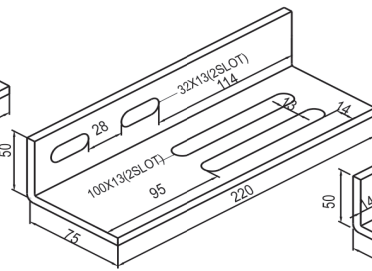
EBRETB



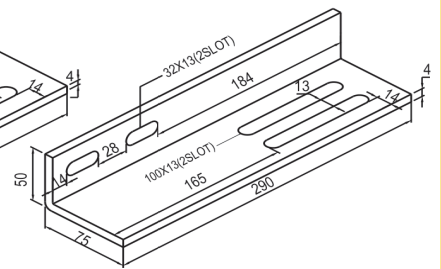
EBR CWB



EBR CW1(L/R)

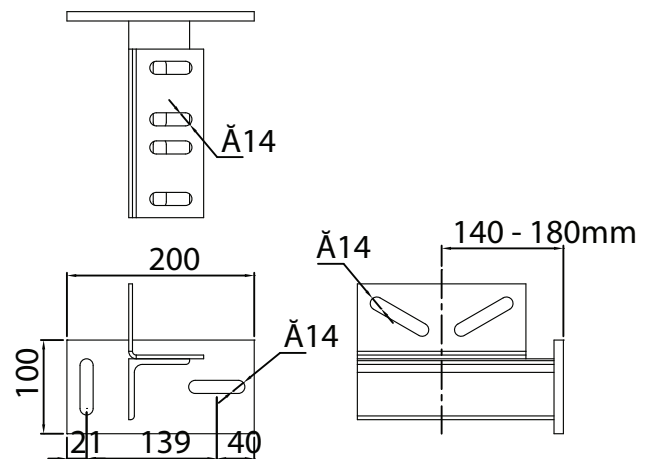
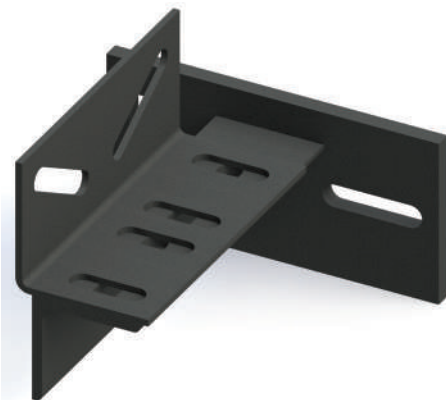


EBR CW2(L/R)



EBR CW3(L/R)

HYDRAULIC BRACKET CODE - EBRHYD



BRACKET & ACCESSORIES

COMBINATION BRACKET TYPE A



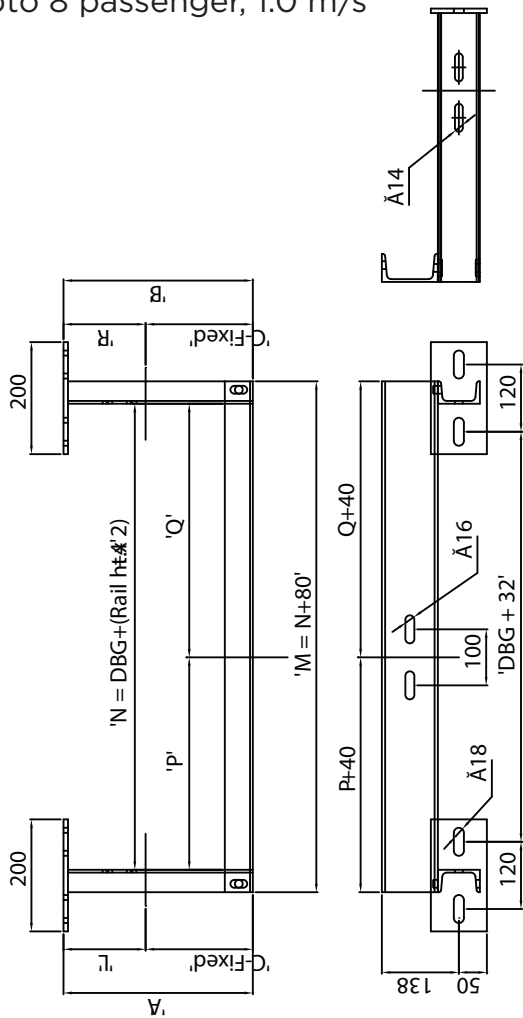
CODE - EBRCOMBA

COMBINATION BRACKET TYPE B

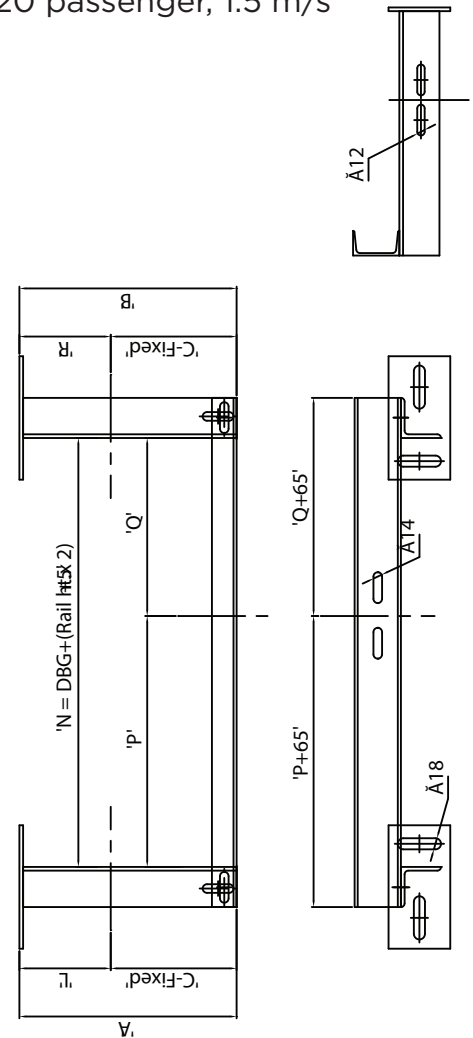


CODE - EBRCOMBB

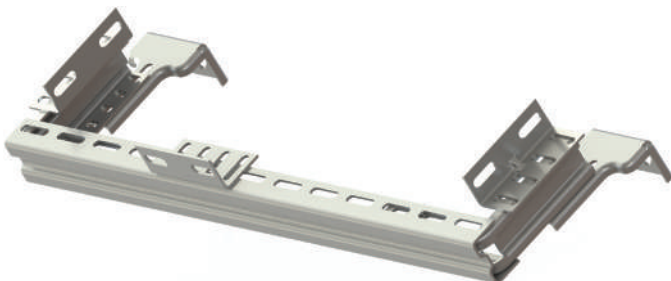
- Upto 8 passenger, 1.0 m/s



- Upto 20 passenger, 1.5 m/s



ADJUSTABLE COMBINATION BRACKETS



CODE	CWT DBG	CAR READING
EBRCOMBC	700 - 1100	290 - 430
EBRCOMBD	1320 - 1650	290 - 430

RAIL CLIPS

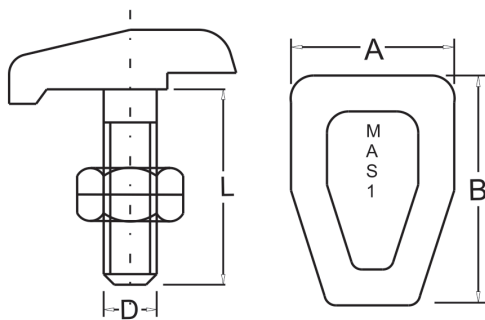
FORGED RAIL CLIP



CODE - ERC

Available Finish

- White Zinc Passivated
- Yellow Zinc Passivated
- Anodised



CODE	D mm	A mm	B mm	L mm
ERC 10	M 10	25	32	25
ERC 12	M 12	25	39	28
ERC 14	M 14	30	45	36
ERC 16	M 16	35	50	45
ERC 18	M 18	35	55	45

CODE - ESRC

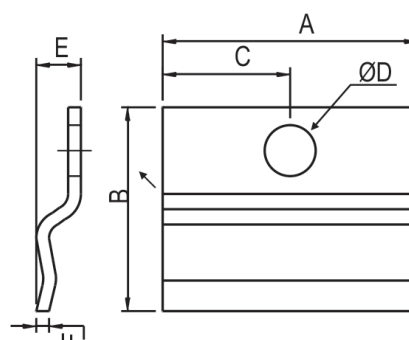
Available Finish

- White Zinc Passivated
- Yellow Zinc Passivated

SHEET METAL RAIL CLIP



CODE	ESRC - 1	ESRC - 2
A	50	60
B	40	50
C	25	30
D	10.5	12.5
E	7	9
F	3	3



AUTO DOOR ACCESSORIES

CODE - ECF



CODE - ECS



KEYS



EKR



EKL

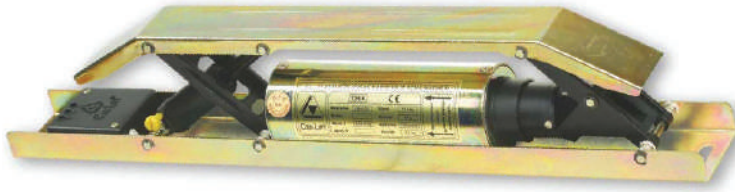


EKD



EKT

MANUAL DOOR ACCESSORIES



CODE - ERC-HYD

HYDRAULIC RETIRING CAM

CODE - ERC-MECH

MECHANICAL RETIRING CAM



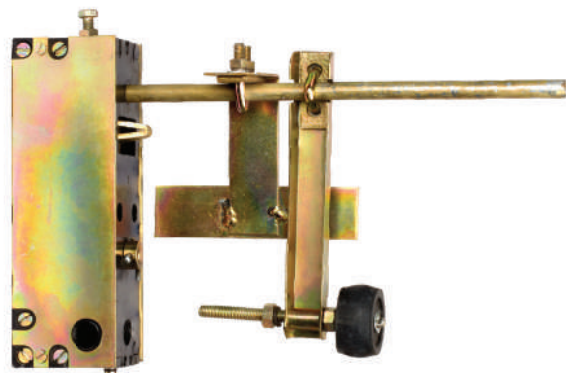
CODE - EGL-DC

DOUBLE CONTACT GATE LOCK



CODE - EGL-SC

SINGLE CONTACT GATE LOCK



CODE - EDCHYD

HYDRAULIC DOOR CLOSER





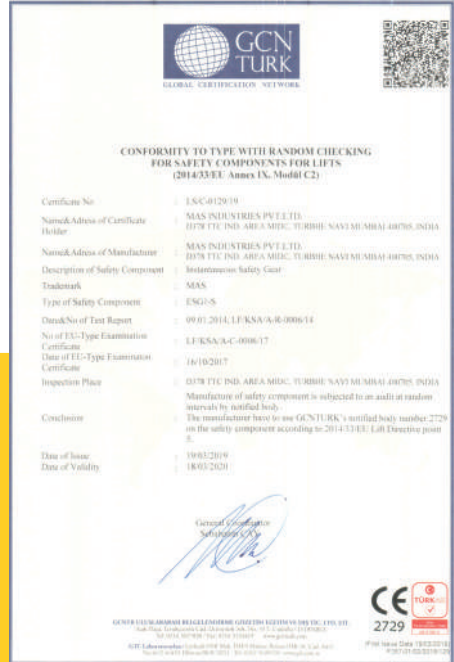
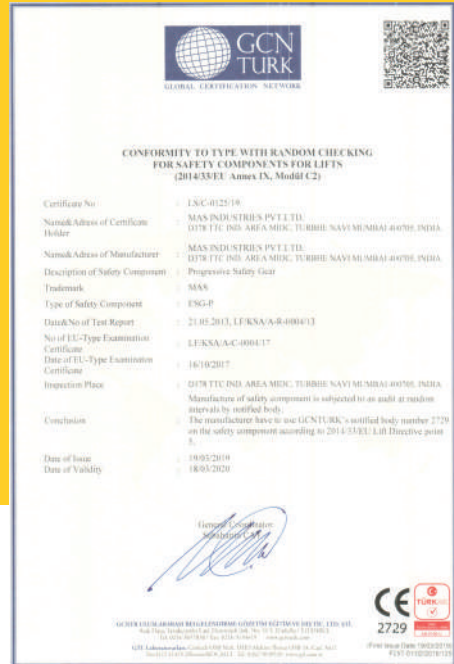
www.masind.net

EOSG
300



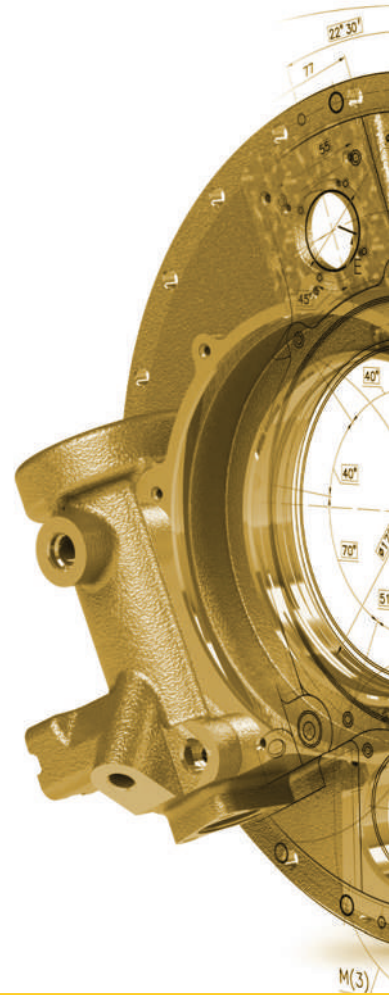
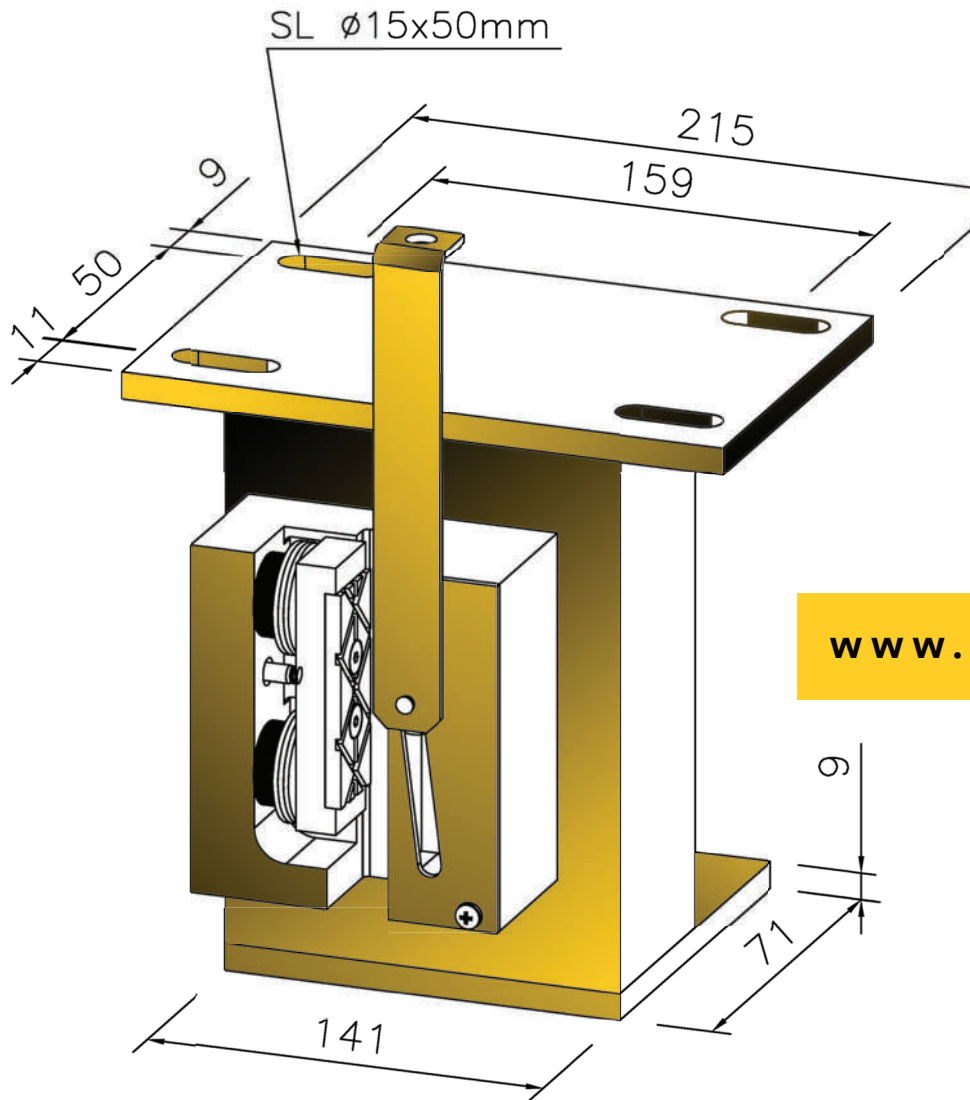
LARGEST EXPORTER OF
ELEVATOR COMPONENTS
IN INDIA

ESG-P



ESG-1S

SAFETY DOESN'T HAPPEN BY ACCIDENT



www.masind.net

copyrights@2019



MAS INDUSTRIES PVT. LTD.

D-378, TTC Industrial estate,
Turbhe MIDC, Navi Mumbai - 400705, India.
PH : 022-27670174 / 5 / 6
Website - www.masind.net,
Email : info@masind.net